



OPERATING INSTRUCTION MANUAL

Vivente PlusLandscape Electric Fire

Models: VVT75, VVT100, VVT150



EN: This product is only suitable for well insulated rooms or occasional use. FR : Ce foyer ne peut être utilisé que dans des pièces bien aérées ou ne peut être utilisé qu'occasionnellement. DE: Dieses Produkt ist nur für gut isolierte Räume oder gelegentlichen Gebrauch geeignet. IT: Questo prodotto è idoneo soltanto per stanze ben coibentate e per un uso occasionale. ES: este producto solo es adecuado para espacios bien aislados o para uso ocasional. PT: Este produto só é adequado para espaços devidamente isolados ou para utilização ocasional. NL: Dit product is enkel geschikt voor goed geventileerde kamers of voor occasioneel gebruik. PL: Produkt ten jest odpowiedni wyłącznie do dobrze odizolowanych miejsc lub do okazjonalnego użytku. NO: Dette produktet egner seg kun for godt isolerte rom eller sporadisk bruk. DK: Dette produkt er udelukkende egnet til velisolerede rum eller lejlighedsvis brug. TR: Bu ürün yalnızca iyi yalıtılmış odalar veya ara sıra kullanım için uygundur.

 The product complies with the European Safety Standards and the European Standard Electromagnetic Compatibility (EMC) These cover the essential requirements of EEC Directives

CAUTION: Please read this information guide carefully to be able to safely install, use and maintain your product.

Important Safety Advice

When using electrical appliances, basic precautions should always be followed to reduce the risk of fire, electrical shock and injury to persons, including the following:

If the appliance is damaged, check with the supplier before installation and operation.

- Do not use outdoors.
- Do not use in the immediate surroundings of a bath, shower or swimming pool.
- Do not locate the appliance immediately below a fixed socket outlet or connection box.
- Do not use this heater if it has been dropped.
- Do not use if there are visible signs of damage to the heater.
- Use this heater on a horizontal and stable surface.

Children of less than 3 years should be kept away unless continuously supervised.

Children aged from 3 years and less than 8 years shall only switch on/off the appliance provided that it has been placed or installed in its intended normal operating position and they have been given supervision or instruction concerning use of the appliance in a safe way and understand the hazards involved. Children aged from 3 years and less than 8 years shall not plug in, regulate and clean the appliance or perform user maintenance.

CAUTION: Some parts of this product can become very hot and cause burns. Particular attention has to be given where children and vulnerable people are present.

Do not use this appliance in series with a thermal control, a program controller, a timer or any other device that switches on the heat automatically, since a fire risk exists when the heater is accidentally covered or displaced.

Ensure that furniture, curtains or other combustible material are positioned no closer than 1 meter from the appliance.

In the event of a fault disconnect the appliance.

Disconnect the appliance when not required for long periods.

The appliance must be positioned so that the plug is accessible. Electrical Requirements section for more details. If the supply cord is damaged it must be replaced by the manufacturer or service agent or a similarly qualified person in order to avoid a hazard.

Keep the supply cord away from the front of the appliance.

Warning: This appliance must be earthed.

The use of an extension lead or multi-plug adaptor is not advised when connecting this product to the mains. Connection through these devices could lead to a risk of overloading, overheating and even fire at the extension lead or adaptor due to inadequate connection quality.

This heater must be used on an alternating current supply (~) only and the voltage marked on the heater must correspond to the supply voltage.

WARNING: In order to avoid overheating, do not cover the appliance. Do not place material or garments on the appliance, or obstruct the air circulation around the appliance.

The appliance carries a DO NOT COVER warning symbol. 

This appliance is equipped with a device to control the room temperature. Do not use this appliance in small rooms when they are occupied by persons not capable of leaving the room on their own, unless constant supervision is provided.

Dimplex Vivente Plus Electric Fire

Models: VVT75, VVT100, VVT150

Thank you for choosing a Dimplex electric fire.

General Information

⚠ CAUTION: Ensure installation does not allow fireplace to be in direct contact with building vapour barrier or insulation and meets all local building code.

⚠ WARNING: To reduce the risk of fire, do not store or use gasoline or other flammable vapors or liquids in the vicinity of the heater.

1. Select a location that is not susceptible to moisture and is away from drapes, furniture and high traffic.

2. Unpack the fireplace and accessories from the box.

! NOTE: Leave the front glass and partially reflective glass, safely, in the box until ready for installation.

3. Store the fireplace in a safe, dry and dust free location until it is ready to be installed.

This electric fire is designed to be installed into a solid construction – such as an existing chimney breast or plaster board construction. The installation of this product should be carried out by a qualified professional.

There are several options for displaying the fire, including:

- One, Two or Three-sided installation
- Materials to be placed onto the fuel bed

Please follow these instructions to assist you in the installation and operation of this product.

Technical Information

Heat Output		230V	240V	
Nominal Heat Output	P_{Nom}	1.4	1.5	kW
Minimum Heat Output	P_{min}	1.3	1.4	kW
Maximum Continuous Heat Output	P_{max}	1.4	1.5	kW
Auxiliary Electricity Consumption				
In Standby Mode	el_{SB}	0.49	0.49	W

with electronic room temperature control.

Installation Instructions

Step 1: Choosing Installation Type

The Vivente can be configured in 4 different ways:

- Single-sided – Front glass only (see Fig 1a)
- Two-sided Right (see Fig 1b)
- Two-sided Left (see Fig 1c)
- Three-sided (see Fig 1d).

The Vivente is supplied as a Three-sided configuration.

Please follow the steps below to adjust to your desired arrangement.

1. Remove front bottom trim on unit. See Fig. 2
2. On the desired side you wish to cover, remove side glass trim which is held in place by four screws. Attach side panel in place of the side trim using the same four screws See Fig. 3A & 3B
3. For Front Glass Only setup, repeat Step 2 on the opposite side of product.
4. Assemble the appropriate front Trim to the product. (Three different trims are provided with the product to facilitate the various setup options.) See Fig. 2

Step 2: Installing the Product

CAUTION: Two people will be required for various steps of this procedure.

This product is designed to be installed into existing block wall or a custom-built studded wall structure. Please consult a competent installer before undertaking this to ensure a safe and secure installation. If installing into an existing chimney or flue, please ensure that the chimney or flue is blocked off. This is to prevent up-draughts affecting product operation.

Electrical Requirements

NOTE: A dedicated, properly fused 13 Amp circuit is required, rated for the appropriate voltage (230-240V). An isolation switch should also be incorporated in cases where the product plug is inaccessible after installation.

WARNING: Construction and wiring must comply with local building codes and other applicable regulations to reduce the risk of fire, electric shock and injury to persons.

WARNING: To reduce the risk of fire, electric shock or injury to persons, always use a licensed electrician.

1. Using the product dimensions (Fig. 11), build a suitable structure for the product to fit into. Ensure that, when installed, the product is within 1m of a power outlet. Please refer to Electrical Requirements section above for more details.

It is recommended that the base of the unit is installed between 200mm and 800mm from the floor. This is to maintain an optimised viewing angle of the fire effect. (See Fig. 12)

The product must not bear the weight of the finished wall located above it. Consider the use of a lintel for appropriate support.

2. Using any combination of the three fixing methods (Fig. 13 a,b,c), fix the product to its supporting structure.

3. Build the finished wall up against the appliance using the glass trims as a guide. The finished wall should be built in a way that allows the power supply to be accessible after installation.

It is recommended to leave 150mm of clearance area directly above the product for ventilation purposes. (Fig. 12) This clearance area can be located behind the finished wall surface.

The product should not be sealed in place with silicone or adhesive as this can restrict airflow.

Step 3: Fuelbed Assembly

A range of fuel bed material has been provided for you to choose your desired look.

A set of high-quality ceramic logs enhance the effect of this fire. Please take great care when handling these logs to ensure they do not get dropped or rub against each other, as they are easily marked.

The following fuel bed media is included

- Ceramic Logs
- Ash Dust
- Crystal pieces

We have taken great care to create what we feel is the most authentic fuel bed, please follow the steps below for more information. Please note: A mix and match of fuelbed media can also be done to create unique fuel bed assembly.

1. Remove front trim on unit. (Fig. 2)
2. Remove Front Glass from product and store in a safe place. (A suction cup is provided to help remove/place the front glass.) (Fig. 6)
3. For a contemporary setup (Fig.14), place crystals on fuel bed, covering the top surface of the fuel bed. These will provide a glowing embers effect, when the flame effect is operating.
4. For a traditional look, arrange the logs on top of the fuel bed, to your preference. Please follow the steps at the end of this document which provide a visual representation for log arrangement. Ash dust is also supplied for this setup. Sprinkle this across the fuel bed to produce a realistic log burning effect.
5. Reverse steps 1 and 2 to re-assemble product.

An Authentic Logset can be purchased separately, see Authentic Log table for part numbers.

Authentic Log	
Model	Part Number
VVT75	03/24180/0
VVT100	03/24181/0
VVT150	03/24183/0

Operation and Use

WARNING: Failure to follow these operating instructions may result in injury and/or damage.

Thank you for choosing the Vivente. We hope you enjoy using your new electric fire. Please take a few minutes to read these instructions. This will help you understand and benefit from all of the following features:

- Onboard controls
- Remote control
- App control
- Heating – including “Comfort\$aver”
- Flame effects
- SmartSense

Comfort\$aver

This electric fire operates with Comfort\$aver technology, which automatically adjusts the fan speed and heater wattage to match the requirements of the room based on the thermostat setting. Conventional electric heaters work by simply being fully on or off, which can result in swings from slightly too warm to slightly too cold.

Comfort\$aver operates such that once the room reaches the set point, the fan and heater will continuously run at a low level, to maintain the desired room temperature providing a more comfortable heating which results in up to an 11% energy saving.

If the temperature in the room rises significantly, i.e. sun coming through a window or the central heating turns on, the heater will turn off and periodically turn back on to circulate the air around the unit, until the room temperature drops and requires the heater to be constantly on again.

SmartSense

SmartSense detects activity or movement in a room and automatically switches on the flame effect, without the need for you to touch the controls. SmartSense will also detect inactivity in a room and after a certain period of time switch the product into standby mode. See Fig. 15 which illustrates the detection zone for SmartSense.

When the fire detects no activity, it will switch itself off. You can choose either these periods of time - 30 minutes or 3 hours.

SmartSense is deactivated for 3 minutes after the product is put into standby mode. This allows you to leave the room after putting the product on standby, without triggering the SmartSense function.

SmartSense has the following three settings:

"HOME" (via APP)

On this setting SmartSense will only switch the flame effect when it detects movement between the hours of 5-11pm, so if you enter the room during the day the fire will not react. However in the evening, your Dimplex fire will instantly switch on your flame effect – remembering your last setting.

"24 Hr" (Default)

SmartSense will switch on the flame effect when it detects movement at any time during the day or night. This is ideal for retail and commercial environments.

"OFF"

SmartSense can be switched off, which will allow the product to perform normally in every other aspect

Controls





The unit can be controlled by:

- Onboard/Manual controls which are located on the upper right of the fireplace (See Fig. 16)
- Remote control – supplied
- App control. Using a dedicated App on your smart phone

Not all of the features, however, can be accessed by the on-board controls. To access the full range of features, the smart phone App is required.

Operating Instructions (ON BOARD CONTROLS)- See Figure 16

The unit can be operated using the manual controls which are located on the upper right of the fireplace. See Fig. 16

Icon	Function	Description
	Standby Switch	Turns product on to Standby mode. When pressed to "I", Display Board show "ST.BY" for five seconds, then shows "." only, to indicate standby condition.
	Menu Cycle Button	<p>After initial power up, product is on standby. Press Menu Cycle Button Once: This turns on the flame effect to a default setting. Display Board show "ON".</p> <p>This button cycles through the Product setting options, when the product is operating. These options are "FIRE", "AMB", "HEAT", "Set.T", "TIMR", "SNSR" and "VOL".</p> <p>"FIRE": The Flame Brightness Setting can then be adjusted using the "+" or "-" buttons. There are seven settings. (Display shows "-F1-" to "-F5-", for the different levels of brightness, "-F6-" for Pulsating Effect and "OFF" when the flame effect is turned off.)</p> <p>"AMB": The Ambient Setting can then be adjusted using the "+" or "-" buttons. There are seven settings available on the onboard controls. (Display shows "AMB1" to "AMB7") "AMB8" is a customisable mood setting that is available via the Dimplex Flame Connect App. Please Note: "-F6-" is not an available setting when in "AMB6", "AMB7" or "AMB8".</p> <p>"HEAT": The set temperature "XXST" is displayed for two seconds, after that, the room temperature "XX°C" for a further two seconds. The Heat Setting can be switched ON/OFF using the "+" or "-" buttons respectively. (Display shows "ON" or "OFF")</p> <p>"Set.T": The Set Temperature can then be adjusted using the "+" or "-" buttons. Temperature range is 15°C - 32°C and is in increments of 1°C (Display shows "15ST" up to "32ST") After 2 seconds, the current Room Temperature is displayed "XX °C". This is shown for three seconds.</p> <p>"TIMR": The Runback Timer can be adjusted using the "+" or "-" buttons. This can be set between 0.5 Hrs and 8.0 Hrs in increments of 0.5 hrs. ("0.5Hr" to "8.0 Hr")</p> <p>"SNSR": The SmartSense Settings can be adjusted using the "+" or "-" buttons. "MIN" turns product off 0.5 hour after last movement detected. "MAX" turns product off 3 hours after last movement detected. "OFF" - Motion Sensor turned off.</p> <p>"VOL": The Volume can be adjusted using the "+" or "-" buttons. Volume has seven settings. ("OFF", which is sound off and "VOL1" to "VOL6")</p>
	Increase "+" Button	This button increases the displayed setting when it is pressed, while in Menu Mode.
	Decrease "-" Button	This button decreases the displayed setting when it is pressed, while in Menu Cycle Mode.













User Modes:

Mode Name /Description	Action (Actions cannot be input by remote control)
Disable/Enable Heat Options on product	When in heat, press both the Menu Cycle Button and "-" Button for five seconds. Display reads "CD02", heat is now disabled. Repeat to enable Heat.
Switch from Degree Celsius to Degree Fahrenheit.	When in heat, press both the Menu Cycle Button and "+" Button for five seconds. The product can then switch from "-°C-" to "-°F-". Repeat to revert back to degrees Celsius mode.
SmartSense Mode selection.	<p>"24Hr" setting operates the SmartSense at all times. This is the default setting.</p> <p>"HOME" setting; the product operates the SmartSense between 5pm and 11pm. Please Note: The product must be connected to the "FLAME CONNECT" App, for the "HOME" setting to operate.</p>

Remote control

The fireplace is supplied with a remote control.

Operating Instructions using REMOTE CONTROL - See Figure 17

	Icon	Display	Function	Description
A		"FIRE" / "ST.BY"	Power / Standby	Press Once to turn the product on. ("ON") Press a second time to put the product into standby. ("ST.BY" is shown, then "." is displayed to indicate standby.) (When returning from 'STANDBY' mode the product will return to previous settings unless the product has been unplugged, in which case it will reset to factory settings)
B		"TIMR"	Timer Cycle	This Button changes the timer setting. This can be set between 0.5 Hrs and 8.0Hrs in increments of 0.5 hrs. ("0.5Hr" to "8.0Hr + OFF") Each Button press will increase timer setting by 0.5hrs.
C		"SNSR"	Smart- Sense Cycle	This Button cycles through the SmartSense settings. Display will read; "MIN", "MAX" or "OFF". "MIN" turns product off 0.5 hour after last movement detected in room. "MAX" turns product off 3 hour after last movement detected in room. "OFF" - SmartSense is turned off
D		"ON"	Heat Mode	First Button press activates the heat. Display reads "ON - XXST - XX°C"
		"OFF"	Heat Mode	Second button press deactivates the heat. Display shows "OFF"
E		"15ST"	Temp Down	Press Once to display current Set Temperature. Press multiple times to lower the heater temperature in 1°C increments. The lowest temperature that can be set is 15°C.
F		"32ST"	Temp Up	Press Once to display current Set Temperature. Press multiple times to increase the heater temperature in 1°C increments. The highest temperature that can be set is 32°C.
G		"-F1-"	Flame Brightness Down	Press Once to display current flame brightness setting. Press to reduce the flame brightness setting. Range is from "-F1-" to "-F6-" and "OFF".
H		"-F6-"	Flame Brightness Up	Press Once to display current flame brightness setting. Press to increase the flame brightness setting. Range is "OFF", then "-F1-" to "-F6-"
I		"VOL1"	Volume Down	Press Once to display current volume setting. Press to reduce the volume setting. Range is "OFF", then "VOL1" to "VOL6".
J		"VOL6"	Volume Up	Press Once to display current volume setting. Press to increase the volume setting. Range is "OFF", then "VOL1" to "VOL6".
K		"AMB1"	Ambient Cycle	Press once to display current Ambient Setting. Subsequent presses will cycle through the settings. Range is from "AMB1" to "AMB7". "AMB8" will also display once it is activated via the app.
L		"LGT1"	Light Selection Button	Press once to show all top lights and fuelbed and flame colour lights ON. Subsequent presses cycle through ON/OFF settings for each of these lights. "LGT1" to "LGT5"

Product Features Overview

Function	Onboard Controls	Remote Control	App Control
Standby	✓	✓	✓
Temperature Adjustment (15° C – 32° C)	✓	✓	✓
Heat Disable	✓	-	-
Heater Mode (ECO, Boost Frost protection, fan, etc.)	-	-	✓
Flame Intensity	✓	✓	✓
Volume Setting	✓	✓	✓
Run-back Timer	✓	✓	✓
7 - Day Timer	-	-	✓
Volume Setting	✓	✓	✓
Ambient Light Setting	✓	✓	✓
Ambient Light On/Off	-	✓	✓
Customizable Ambient	-	-	✓
SmartSense	✓	✓	✓

Smart Phone App

“Flame Connect” allows you to control your fire's function over Bluetooth, from your hand. Search for “Flame Connect” on your App Store and install to get started.



Fault Codes		
Onboard Display	Description	Action
CD20	Room Sensor (NTC) Error	Contact your retailer and reference this error code.
CD03	The internal NTC is measuring elevated temperatures within the product.	Unplug Unit at power supply to reset, allow it to cool down, then plug unit back in to restart.
CD04	Internal Communication Error	Contact your retailer and reference this error code.
CD05	The internal temperature sensor has failed.	Unplug Unit at power supply to reset, allow it to cool down, then plug unit back in to restart.
CD53	This error displays when timer settings are out of sync. This occurs when the product has power cut off for over 40 hours. The product can no longer operate at the determined time settings, and CD53 is displayed.	Reset the timer settings using the Flame Connect APP.

Flame effect themes

There are different combinations of flame effect available. Different presets of lighting colour combinations are available and can be cycled through using the remote control.

Further customisation of the effects is accessible through the smart phone app.

Resetting the Temperature Cutoff Switch

Should the heater overheat, an automatic cut out will turn the whole unit off and it will not come back on without being reset. It can be reset by turning the unit off at the main power and waiting 5 minutes before turning the unit back on. See table Fault Codes on the previous page for more details.

⚠ CAUTION: If you need to continuously reset the heater, turn the unit off at the main supply, disconnect panel and call technical support.

Maintenance

WARNING: ALWAYS DISCONNECT FROM THE POWER SUPPLY BEFORE CLEANING THE HEATER.

Cleaning

Before commencing cleaning, unplug the heater and allow it to cool. The surfaces of the heater should be given an occasional wipe with a dry soft cloth. Do not use detergents, abrasive cleaning powder or furniture polish as this can damage the surface finish of the product.

To remove any accumulation of dust or fluff, the soft brush attachment of a vacuum cleaner should occasionally be used to clean the outlet grille of the fan heater located above the front glass.

To clean the fuel effect, remove the fuelbed media. The plastic tray should be wiped clean with a damp cloth. When dry, replace the logs/crystals onto the fuelbed and arrange for best effect.

The front and side glass are cleaned in the factory during the assembly operation. During shipment, installation, handling, etc., the front and side glass may collect dust particles; these can be removed by dusting lightly with a clean dry cloth.

To remove fingerprints or other marks, the partially reflective glass can be cleaned with a damp cloth. The partially reflective glass should be completely dried with a lint free cloth to prevent water spots. To prevent scratching, do not use abrasive cleaners.

CAUTION: Assembly, installation and repair of this heater must be carried out by Dimplex or its authorised agent.

CAUTION: We recommend that this heater is checked annually for safety by a qualified electrician.

Additional Information


After Sales Service

Your product is guaranteed for one year from the date of purchase. Within this period, we undertake to repair or exchange this product free of charge provided it has been installed and operated in accordance with these instructions. Your rights under this guarantee are additional to your statutory rights, which in turn are not affected by this guarantee.

CAUTION: Do not use if the heater's mains power lead is damaged. Such use may cause a hazard. If damaged, the mains power lead must be replaced by the manufacturer or its authorised dealer.

Recycling



For electrical products sold within the European Community - At the end of the electrical product's useful life, it is not be disposed of with household waste. Please  recycle where facilities exist. Check with your Local Authority or retailer for recycling advice in your country.

ATTENTION : Veuillez lire attentivement ces informations pour pouvoir installer, utiliser et entretenir votre foyer en toute sécurité.

Conseils importants concernant la sécurité

Lorsque vous utilisez des appareils électriques, des précautions fondamentales doivent toujours être suivies afin de minimiser les risques d'incendie, d'électrocution et de blessures, notamment :

Si l'appareil est endommagé, consultez le fournisseur avant toute installation et utilisation.

- N'utilisez pas l'appareil à l'extérieur.
- N'utilisez pas l'appareil à proximité d'un bain, d'une douche ou d'une piscine.
- Ne mettez pas le foyer juste en dessous d'une prise de courant fixe ou d'un boîtier de raccordement.
- N'utilisez pas cet appareil de chauffage s'il est tombé.
- Ne l'utilisez pas s'il a apparemment été endommagé.
- Posez cet appareil de chauffage sur une surface horizontale et stable.

Les enfants de moins de 3 ans doivent être tenus à l'écart, sauf sous surveillance continue.

Les enfants âgés de 3 à moins de 8 ans ne doivent allumer/éteindre l'appareil que s'il a été placé ou installé dans la position normale et prévue d'utilisation, et s'ils ont reçu une supervision ou des instructions concernant l'utilisation de manière sûre de l'appareil, et qu'ils comprennent et soient au courant des risques concernés. Les enfants âgés de 3 à moins de 8 ans ne doivent pas brancher, ni régler, ni nettoyer, ni entretenir l'appareil.

ATTENTION : Certaines parties de ce produit peuvent devenir très chaudes et provoquer des brûlures. Il faut faire particulièrement attention lorsque des enfants et des personnes vulnérables sont présents.

N'utilisez pas cet appareil avec une commande thermique, un système de contrôle du programme, une minuterie ou tout autre appareil qui allume automatiquement l'appareil de chauffage, car le fait que l'appareil de chauffage soit accidentellement recouvert ou déplacé est source de risques d'incendie.

Assurez-vous que les meubles, rideaux ou autres matériaux combustibles ne se trouvent pas à moins d'un (1) mètre de l'appareil.

En cas de panne, débranchez l'appareil.

Débranchez-le si vous ne comptez pas l'utiliser avant longtemps.

L'appareil doit être positionné de manière à ce que la prise soit accessible. Consultez la rubrique « Électricité et conditions » pour de plus amples précisions. Si le fil d'alimentation est endommagé, il doit être remplacé par le fabricant ou l'agent de révision, ou par une personne de qualification similaire et ceci afin d'éviter tout risque.

Éloignez le fil d'alimentation de l'avant de l'appareil.

Avertissement : Cet appareil doit être raccordé à la terre.

L'utilisation d'une rallonge ou d'un adaptateur multiprise n'est pas conseillée si vous branchez l'appareil sur une prise secteur. Tout branchement de ce type peut entraîner un risque de surcharge, de surchauffe et même d'incendie au niveau de la rallonge ou de l'adaptateur, en raison d'un branchement de qualité insuffisante.

Cet appareil de chauffage ne doit être utilisé que sur une alimentation en courant alternatif (~), et la tension indiquée sur l'appareil doit correspondre à la tension d'alimentation.

AVERTISSEMENT : Afin d'éviter toute surchauffe, ne couvrez pas l'appareil. Ne mettez aucun matériel ni vêtements sur l'appareil, n'obstruez pas non plus la circulation d'air autour.

Cet appareil comporte un symbole d'avertissement. **NE PAS COUVRIR.**



Cet appareil est équipé d'un dispositif de contrôle de la température ambiante. N'utilisez pas cet appareil dans de petites pièces lorsqu'elles sont occupées par des personnes incapables de quitter la pièce toutes seules, à moins qu'une surveillance constante ne soit assurée.

Foyer électrique Dimplex Vivente Plus

Modèles : VVT75, VVT100, VVT150

Merci d'avoir choisi un foyer électrique Dimplex.

Informations générales

⚠ ATTENTION : Veillez à ce que l'installation soit telle que le foyer ne puisse toucher le pare-vapeur ou l'isolation du bâtiment, et respecte tous les codes locaux du bâtiment.

⚠ AVERTISSEMENT : Afin de minimiser les risques d'incendie, ne stockez et n'utilisez pas d'essence ou autres vapeurs ou liquides inflammables à proximité de l'appareil de chauffage.

1. Choisissez un emplacement qui ne réagisse pas à l'humidité et éloigné des rideaux, des meubles et d'un passage intense.

2. Déballez le foyer et les accessoires de la boîte.

! REMARQUE : Laissez le verre frontal et le verre partiellement réfléchissant, en toute sécurité, dans la boîte jusqu'à ce qu'ils soient prêts à être installés.

3. Rangez le foyer dans un endroit sûr, sec et sans poussière, jusqu'à ce qu'il soit prêt à être installé.

Ce foyer électrique doit être installé dans quelque chose de solide - notamment dans un manteau de cheminée existant ou une érection en placoplâtre. L'installation de ce produit doit être effectuée par un professionnel qualifié.

Le foyer peut être exposé de différentes façons, notamment:

- Installation sur un, deux ou trois côtés
- Matériaux à placer sur le lit de fausses braises

Veillez suivre ces instructions pour vous aider à installer et à utiliser ce produit.

Informations techniques

Puissance calorifique		230 V	240 V	
Puissance calorifique nominale	P_{Nom}	1.4	1.5	kW
Puissance calorifique minimale	P_{min}	1.3	1.4	kW
Puissance calorifique continue et maximale	P_{max}	1.4	1.5	kW
Consommation électrique auxiliaire				
En mode veille	el_{SB}	0.49	0.49	W

À régulation électronique de la température ambiante.

Instructions d'installation

Étape 1 : Choix du type d'installation

Le Vivente peut être installé de 4 manières différentes :

- Une seule face - Verre frontal uniquement (voir Fig 1a)
- Deux côtés, droite (voir Fig 1b)
- Deux côtés, gauche (voir Fig 1c)
- Trois côtés (voir Fig 1d).

Le Vivente peut être installé sur trois côtés.

Veuillez suivre les étapes ci-dessous pour vous adapter à l'arrangement souhaité.

1. Retirez la garniture inférieure et frontale de l'appareil. Voir Fig 2
2. Sur le côté que vous souhaitez couvrir, retirez la garniture de verre latérale qui est maintenue en place par quatre vis. Fixez le panneau latéral à la place de la garniture latérale en utilisant les mêmes quatre vis Voir Fig 3A et 3B
3. Dans le cas d'une installation à une vitre frontale uniquement, reprenez l'étape 2 du côté opposé du produit.
4. Installez la garniture frontale sur le produit. (Trois versions différentes sont possibles afin de faciliter les différentes possibilités d'installation.) Voir Fig 2

Étape 2 : Installation du produit

ATTENTION : Deux personnes seront nécessaires pour les différentes étapes de cette procédure.

Ce produit doit être installé dans un mur de parpaings ou dans une paroi murale (tasseaux) érigée sur mesure. Veuillez consulter un installateur compétent avant de vous lancer dans cette installation, afin de garantir qu'elle soit sûre et solide. Si vous l'installez dans une cheminée ou dans un conduit de fumée, veuillez vous assurer que la cheminée ou le conduit soit bouché. Il s'agit d'éviter que les courants d'air n'affectent le bon fonctionnement du foyer.

Électricité et conditions

REMARQUE: Un circuit de 13 A dédié et correctement protégé est requis, évalué pour la tension appropriée (230-240 V). Un interrupteur d'isolement doit également être incorporé dans les cas où la fiche du produit est inaccessible après l'installation.

Un panneau d'accès est fourni dans la base du produit, il est conseillé que la fiche soit située directement sous ce panneau dans le cas où l'accès à la fiche est requis après l'installation.

AVERTISSEMENT : L'érection et le câblage doivent être conformes aux codes du bâtiment locaux et à toute autre réglementation en vigueur, ceci afin de minimiser les risques d'incendie, d'électrocution et de blessures.

AVERTISSEMENT : Afin de minimiser les risques d'incendie, d'électrocution ou de blessures, faites toujours appel à un électricien agréé.

1. En suivant les dimensions du produit (Fig. 11), érigez une structure permettant de recevoir le produit. Assurez-vous qu'une fois installé, le foyer se trouve à moins de 1 m d'une prise de courant. Veuillez consulter la section « Électricité et conditions » ci-dessus pour de plus amples détails.

Il est recommandé d'installer le bas de l'appareil entre 200 mm et 800 mm du sol. Ceci permet de maintenir un angle de vision optimisé de l'effet de feu. (Voir Fig 12)

Le produit ne doit pas reprendre le poids du mur fini situé au-dessus. Pensez à utiliser un linteau à titre d'appui.

2. En utilisant n'importe quelle combinaison des trois méthodes de fixation (Fig 13 a, b, c), fixez le produit à sa structure porteuse.

3. Érigez le mur fini contre l'appareil en utilisant les garnitures en verre à titre de guide. Le mur fini doit être construit de manière à ce que l'alimentation électrique soit accessible après l'installation.

Il est recommandé de laisser 150 mm de dégagement au-dessus de l'appareil à des fins de ventilation. (Fig 12) Ce dégagement peut être situé derrière la surface du mur fini

Le produit ne doit pas être collé avec du silicone ou de l'adhésif, car le débit d'air peut en être restreint.

Étape 3 : Montage du lit de fausses braises

Plusieurs lits de fausses braises sont mis à votre disposition pour vous permettre de choisir l'apparence souhaitée.

Un jeu de bûches en céramique de haute qualité renforce l'effet de ce feu. Veuillez faire très attention lorsque vous manipulez ces bûches, à vous assurer qu'elles ne tombent pas ou ne frottent pas les unes contre les autres, car elles se marquent facilement. Les écrans de lits de fausses braises livrés sont les suivants :

- Bûches en céramique
- Poussière de cendres
- Braises cristallisées

Nous avons pris grand soin de créer ce que nous pensons être le lit de fausses braises le plus authentique ; veuillez suivre les étapes ci-dessous pour de plus amples informations. Veuillez noter : Il est possible de combiner différents écrans de lits de fausses braises pour obtenir un lit unique.

1. Retirez la garniture de l'appareil. (Fig 2)
2. Retirez la vitre avant et rangez-la dans un endroit sûr. (Une ventouse est livrée avec le kit pour vous aider à retirer/installer la vitre frontale.) (Fig 6)
3. Pour obtenir un lit contemporain (Fig 14), placez des braises cristallisées sur le lit de fausses braises, en recouvrant la surface supérieure du lit. L'effet consistera en braises incandescentes lorsque l'effet de flamme sera allumé.
4. Pour obtenir un look traditionnel, disposez les bûches sur le dessus du lit de fausses braises suivant vos préférences. Veuillez suivre les étapes à la fin de ce document qui donnent une représentation visuelle de la disposition des bûches. De la poussière de cendre est également fournie pour cette présentation. Saupoudrez-la sur le lit de fausses braises pour obtenir un effet de bûches en train de se consumer.
5. Inversez les étapes 1 et 2 pour remonter le produit.

Un ensemble de journaux authentiques peut être acheté séparément, voir le tableau des journaux authentiques pour les références.

Authentic Log	
Model	Part Number
VVT75	03/24180/0
VVT100	03/24181/0
VVT150	03/24183/0

Fonctionnement et utilisation

AVERTISSEMENT : L'irrespect de ces consignes d'utilisation peut entraîner des blessures et/ou des dommages.

Merci d'avoir choisi le foyer Vivente. Nous espérons que vous aimerez votre nouveau foyer électrique. Veuillez prendre quelques minutes pour lire ces instructions. Vous pourrez ainsi mieux comprendre et bénéficier de toutes les fonctions suivantes :

- Boutons sur le foyer lui-même
- Télécommande
- Bouton de l'application
- Chauffage - notamment « Comfort\$aver»
- Effets de flamme
- SmartSense

Comfort\$aver

Ce foyer électrique fonctionne en faisant appel à la technologie Comfort\$aver, qui ajuste automatiquement la vitesse du ventilateur et la puissance de l'appareil de chauffage en fonction de la pièce, qui dépend elle-même du réglage du thermostat. Les appareils électriques conventionnels de chauffage fonctionnent simplement en étant complètement allumés ou éteints, ce qui peut entraîner des variations de température ; de légèrement trop chaude à légèrement trop froide.

Une fois que la pièce a atteint le point de consigne, Comfort\$aver règle le ventilateur et l'appareil de chauffage continuellement à un niveau bas, pour maintenir la température ambiante souhaitée, au bénéfice d'un chauffage plus confortable qui se traduit par une économie d'énergie allant jusqu'à 11 %.

Si la température de la pièce augmente considérablement, et donc que le soleil passe par une fenêtre ou que le chauffage central s'allume, l'appareil de chauffage s'éteint et se rallume périodiquement pour faire circuler l'air autour, jusqu'à ce que la température ambiante baisse et oblige l'appareil de chauffage à être constamment allumé de nouveau.

SmartSense

SmartSense détecte l'activité ou le mouvement dans une pièce, et déclenche automatiquement l'effet de flamme, sans que vous ayez besoin de toucher les boutons. SmartSense détectera également l'inactivité dans une pièce et, au bout d'un certain temps, passera le foyer en mode veille. Voir figure 15 illustrant la zone de détection de la fonction SmartSense.

Lorsque le foyer ne détecte aucune activité, il s'éteint. Vous pouvez choisir entre 30 minutes et 3 heures.

SmartSense se coupe pendant 3 minutes une fois le foyer en mode veille. Vous pouvez ainsi quitter la pièce après avoir mis le foyer en veille, sans déclencher la fonction SmartSense.

SmartSense fonctionne suivant trois paramètres, à savoir :

« ACCUEIL (via APP)»

Grâce à ce réglage, SmartSense ne déclenche l'effet de flammes que lorsqu'il détecte un mouvement entre 17 h et 23 h ; donc si vous entrez dans la pièce pendant la journée, le foyer ne réagira pas. Cependant, le soir, votre foyer Dimplex déclenchera instantanément votre effet de flammes - en se rappelant votre dernier réglage.

« 24 h » (par défaut)

SmartSense déclenchera l'effet de flammes lorsqu'il détecte un mouvement à tout moment du jour ou de la nuit. Il s'agit d'une fonction idéale pour les commerces.

« ÉTEINT »

SmartSense peut être coupé, ce qui permettra au produit de se préformer normalement.

Boutons


Le foyer peut être contrôlé par :

- Les boutons sur le foyer lui-même/manuels situés en haut et à droite du foyer (voir Fig 16)
- La télécommande fournie
- Le bouton de l'application. Utilisation d'une application spéciale pour smartphone

Cependant, les boutons du foyer ne peuvent pas tous déclencher les fonctions. Pour profiter d'une panoplie complète de fonctions, l'application pour smartphone est requise.

Mode d'emploi (BOUTONS SUR LE FOYER LUI-MÊME) - Voir Fig 16

Le foyer peut être utilisé à l'aide des boutons situés en haut et à droite du foyer. Voir Fig 16

Icône	Fonction	Description
	Bouton de veille	Fait passer le foyer en mode veille. Lorsque vous appuyez sur « I », le pupitre s'affiche « ST.BY » pendant cinq secondes, puis affiche « . » uniquement, pour indiquer le mode Veille.
	Bouton de Cycle de menu	<p>Après avoir été allumé, le foyer passe en veille. Appuyez une fois sur le bouton de cycle de menu : L'effet de flammes se déclenche en fonction d'un paramètre par défaut. Le pupitre indique « ON ».</p> <p>Ce bouton fait défiler les options de réglage lorsque le foyer fonctionne. Ces options sont « FIRE », « AMB », « HEAT », « Set.T », « TIMR », « SNSR » et « VOL ».</p> <p>« FIRE » (feu) : Le réglage de la luminosité des flammes peut ensuite être ajusté à l'aide des boutons « + » ou « - ». Il y a sept réglages possibles. (Le pupitre affiche les niveaux de luminosité de « -F1- » à « -F5- », l'effet pulsatoire par « -F6- » et « OFF » lorsque l'effet de flammes est éteint.)</p> <p>« AMB » (Atmosphère) : Le réglage de l'atmosphère peut ensuite être ajusté à l'aide des boutons « + » ou « - ». Il y a sept paramètres possibles grâce aux boutons. (Le pupitre affiche de « AMB1 » à « AMB7 ») « AMB8 » est un paramètre d'atmosphère personnalisable via l'application Dimplex Flame Connect. Veuillez noter : « -F6- » n'est pas un paramètre utilisable en atmosphère AMB6, AMB7 ou AMB8.</p> <p>« HEAT » (chauffage) : La température de consigne « XXST » s'affiche pendant deux secondes, puis la température ambiante « XX °C » pendant deux autres secondes. Le réglage de la température peut ensuite être ALLUMÉ/ÉTEINT à l'aide des boutons « + » ou « - ». (Le pupitre affiche « ON » ou « OFF »)</p> <p>« Set.T » (température de consigne) : La température de consigne peut ensuite être ajustée à l'aide des boutons « + » ou « - ». La plage de températures va de 15 à 32 °C et par incréments de 1 °C (le pupitre indique de « 15ST » à « 32ST »). Au bout de 2 secondes, la température ambiante actuelle s'affiche sous la forme « XX °C ». Elle s'affiche pendant trois secondes.</p> <p>« TIMR » (minuterie) : La minuterie peut être ajustée à l'aide des boutons « + » ou « - ». Elle peut être réglée de 0,5 h à 8 h par incréments de 0,5 h. (« 0,5 h » à « 8 h »)</p> <p>« SNSR » : SmartSense peut être ajusté à l'aide des boutons « + » ou « - ». « MIN » éteint le foyer 0,5 heure une fois le dernier mouvement détecté. « MAX » éteint le foyer 3 heures une fois le dernier mouvement détecté. « OFF » - Détecteur de mouvement coupé.</p> <p>« VOL » : Le volume peut être ajusté à l'aide des boutons « + » ou « - », 7 réglages de volume sont possibles. (« OFF », qui coupe le volume et de « VOL1 » à « VOL6 »)</p>
+	Bouton « + » d'augmentation	Ce bouton augmente le volume affiché lorsqu'il est enfoncé, en mode Menu.
-	Bouton « - » de diminution	Ce bouton diminue le volume affiché lorsqu'il est enfoncé, en mode Cycle de menu.













Modes de l'utilisateur :

Nom/description du mode	Fonction (Les fonctions ne peuvent pas être déclenchées à l'aide de la télécommande)
Allumer/couper les options de chauffage sur le foyer lui-même	En chaleur, appuyez à la fois sur le bouton de cycle de menu et sur le bouton « - » pendant cinq secondes. Le pupitre indique « CD02 », le chauffage est maintenant coupé. Faites la même chose pour allumer le chauffage.
Passez des degrés Celcius aux degrés Fahrenheit.	En chaleur, appuyez à la fois sur le bouton de cycle de menu et sur le bouton « + » pendant cinq secondes. Le foyer peut alors passer de « - °C- » à « - ° F- ». Faites la même chose pour revenir en mode degrés Celsius.
Sélection du mode SmartSense.	<p>« 24Hr » fait fonctionner le SmartSense tout le temps. Il s'agit du paramétrage par défaut.</p> <p>« HOME » ; le foyer fait fonctionner le SmartSense entre 17 h 00 et 23 h 00. Veuillez noter : Le foyer doit être connecté à l'application « FLAME CONNECT » pour que « HOME » puisse fonctionner.</p>

Télécommande

Le foyer est livré avec une télécommande.

Mode d'emploi de la TÉLÉCOMMANDE - Voir Fig 17

	Icône	Pupitre	Fonction	Description
A		« FIRE » / « ST.BY »	Allumage/ Veille	Appuyez une fois pour allumer le foyer. (« ON ») Appuyez une seconde fois pour mettre le foyer en veille. (« ST.BY » s'affiche, puis « . » pour indiquer le mode de veille.) (Une fois revenu sur le mode « STANDBY », le foyer reviendra aux paramètres précédents, à moins que le foyer n'ait été débranché, auquel cas il se remettra sur les paramètres d'usine)
B		« TIMR »	Cycle de minuterie	Ce bouton modifie le réglage de la minuterie. Cela peut être réglé entre 0,5 heure et 8,0 heures par incréments de 0,5 heure. ("0.5Hr" à "8.0Hr + OFF") Chaque pression sur un bouton augmentera le réglage de la minuterie de 0,5 h.
C		« SNSR »	Cycle Smart-Sense	Ce bouton fait défiler les paramètres SmartSense. L'affichage lira; "MIN", "MAX" ou "OFF". "MIN" éteint le produit 0,5 heure après le dernier mouvement détecté dans la pièce. «MAX» éteint le produit 3 heures après le dernier mouvement détecté dans la pièce. "OFF" - SmartSense est désactivé
D		« ON »	Mode de chauffage	La première pression sur le bouton active la chaleur. L'affichage indique "ON - XXST - XX°C"
		«OFF»	Mode de chauffage	La deuxième pression sur le bouton désactive la chaleur. L'écran affiche «OFF»
E		« 15ST »	Baisser la température	Appuyez une fois pour afficher la température de consigne actuelle. Appuyez plusieurs fois pour baisser la température du chauffage par incréments de 1°C. La température la plus basse pouvant être réglée est de 15°C.
F		« 32ST »	Augmenter la température	Appuyez une fois pour afficher la température de consigne actuelle. Appuyez plusieurs fois pour augmenter la température du chauffage par incréments de 1°C. La température la plus élevée pouvant être réglée est de 32°C.
G		« F1 »	Diminution de la luminosité des flammes	Appuyez une fois pour afficher la luminosité actuelle. Appuyez pour réduire la luminosité des flammes. La plage va de « -F1- » à « -F6- » et « OFF ».
H		« F6 »	Augmentation de la luminosité des flammes	Appuyez une fois pour afficher la luminosité actuelle. Appuyez pour augmenter la luminosité des flammes. La plage est « OFF », puis « -F1- » à « -F6- »
I		« VOL1 »	Baisser le volume	Appuyez une fois pour afficher le volume en cours. Appuyez pour baisser le volume. La plage est « OFF », puis « VOL1 » à « VOL6 ».
J		« VOL6 »	Monter le volume	Appuyez une fois pour afficher le volume actuel. Appuyez pour augmenter le volume. La plage est « OFF », puis « VOL1 » à « VOL6 ».
K		"AMB1"	Cycle d'atmosphère	Appuyez une fois pour afficher l'atmosphère actuelle. Appuyez plusieurs fois pour faire défiler les paramètres. La plage va de « AMB1 » à « AMB7 » « AMB8 » s'affichera également une fois déclenchée via l'application.
L		« LGT1 »	Bouton de sélection de la lumière	Appuyez une fois pour afficher toutes les lumières supérieures, les lumières du lit de fausses braises et des flammes ALLUMÉES.Appuyez plusieurs fois de suite fait défiler les réglages ON/OFF pour chacune de ces lumières. « LGT1 » à « LGT5 »

Aperçu des fonctions du foyer

Fonction	Boutons sur le foyer lui-même	Télécommande	Bouton de l'application
Veille	✓	✓	✓
Réglage de la température (15 - 32 °C)	✓	✓	✓
Couper le chauffage	✓	-	-
Mode Appareil de chauffage (ECO, Boost, Protection contre le gel, Ventilateur seulement etc.)	-	-	✓
Intensité des flammes	✓	✓	✓
Réglage du volume	✓	✓	✓
Minuterie	✓	✓	✓
Minuterie sur 7 jours	-	-	✓
Réglage du volume	✓	✓	✓
Réglage des lumières ambiantes	✓	✓	✓
Lumière ambiante allumée/ éteinte	-	✓	✓
Atmosphère personnalisable	-	-	✓
SmartSense	✓	✓	✓

Application pour smartphone

« Flame Connect » vous permet de contrôler votre foyer via Bluetooth, d'une seule main. Recherchez « Flame Connect » sur votre App Store et installez-le.



Codes d'anomalie		
Pupitre du foyer	Description	Mesure à prendre
CD20	Problème de capteur (NTC)	Contactez votre revendeur et indiquez-lui ce code d'anomalie.
CD03	Le NTC interne détecte les températures élevées à l'intérieur du foyer.	Débranchez le foyer pour le remettre en marche, laissez-le refroidir, puis rebranchez-le pour le rallumer.
CD04	Problème de communication interne	Contactez votre revendeur et indiquez-lui ce code d'anomalie.
CD05	Le capteur de température interne est en panne.	Débranchez le foyer pour le remettre en marche, laissez-le refroidir, puis rebranchez-le pour le rallumer.
CD53	Cette anomalie s'affiche lorsque les paramètres de la minuterie ne sont pas synchronisés. Cela se produit lorsque le foyer est éteint pendant plus de 40 heures. Le foyer ne peut plus fonctionner suivant les paramètres horaires déterminés et CD53 s'affiche.	Faites reprendre à la minuterie les paramètres à l'aide de l'application Flame Connect.

Thèmes d'effet de flammes

Différentes combinaisons d'effet de flammes sont possibles. Différents pré-réglages de combinaisons de couleurs d'éclairage sont possibles, et peuvent être parcourus à l'aide de la télécommande.

Une personnalisation plus poussée des effets est possible via l'application pour smartphone.

Reprise après coupure de la température

En cas de surchauffe de l'appareil de chauffage, le foyer s'éteindra automatiquement et il ne se rallumera pas sans être remis à zéro. Il peut être remis à zéro en l'éteignant et en attendant 5 minutes avant de le rallumer. Consultez le tableau des anomalies de la page précédente pour de plus amples détails.

⚠ ATTENTION : Si vous devez continuellement remettre l'appareil de chauffage à zéro, éteignez-le au niveau de l'alimentation principale, débranchez le panneau et appelez le service après-vente.

Entretien

AVERTISSEMENT : DÉBRANCHEZ TOUJOURS L'ALIMENTATION AVANT DE NETTOYER L'APPAREIL DE CHAUFFAGE.

Nettoyage

Avant de commencer le nettoyage, débranchez l'appareil de chauffage et laissez-le refroidir. Les surfaces de l'appareil de chauffage doivent être essuyées occasionnellement avec un chiffon doux et sec. N'utilisez pas de détergents, ni de poudre de nettoyage abrasive ni de polish car ils peuvent endommager la finition du foyer.

Pour éliminer toute accumulation de poussière ou de peluches, la brosse souple d'un aspirateur doit parfois être utilisée pour nettoyer la grille de refoulement située au-dessus de la vitre frontale.

Pour nettoyer l'effet de braises, retirez les écrans de lit de fausses braises. Le plateau en plastique doit être nettoyé avec un chiffon humide. Une fois sec, remettez les bûches/braises cristallisées sur le lit de fausses braises*.

Les vitres frontale et latérale sont nettoyées en usine pendant le montage. Pendant le transport, l'installation, la manipulation, etc., des particules de poussière peuvent s'accumuler sur les vitres frontale et latérale ; celles-ci peuvent être enlevées en dépoussiérant légèrement avec un chiffon propre et sec.

Pour éliminer les empreintes de doigts ou autres marques, le verre partiellement réfléchissant peut être nettoyé avec un chiffon humide. Le verre partiellement réfléchissant doit être complètement séché avec un chiffon non pelucheux pour éviter les taches dues à l'eau. Pour éviter les rayures, n'utilisez pas de nettoyeurs abrasifs.

ATTENTION : Le montage, l'installation et la réparation de cet appareil de chauffage, doivent être entrepris par Dimplex ou l'un de ses agents agréés.

ATTENTION : Nous recommandons de faire vérifier annuellement cet appareil par un électricien qualifié.

Autres informations

Service après-vente

Votre produit est garanti un an à compter de la date d'achat. Durant cette période, nous nous engageons à réparer ou échanger ce produit gratuitement, à condition qu'il ait été installé et utilisé conformément à ces instructions. Vos droits en vertu de cette garantie s'ajoutent à vos droits statutaires, lesquels, à leur tour ne sont pas affectés par cette garantie.

ATTENTION : N'utilisez pas le foyer si fil d'alimentation est endommagé. L'utiliser ainsi peut entraîner des risques. S'il est endommagé, le fil d'alimentation doit être remplacé par le fabricant ou son revendeur agréé.

Recyclage

Concernant les produits fonctionnant à l'électricité, vendus dans la Communauté européenne -



À la fin de la durée utile desdits produits, il ne faut pas s'en débarrasser avec les ordures ménagères. Veuillez recycler dans des établissements de recyclage si vous le pouvez. Vérifiez auprès des autorités ou d'un détaillant local qui vous donneront des conseils concernant le recyclage dans votre pays.

ACHTUNG: Bitte lesen Sie dieses Informationshandbuch sorgfältig durch, um Ihr Produkt sicher installieren, verwenden und warten zu können.

Wichtige Sicherheitshinweise

Bei der Verwendung elektrischer Geräte sind grundlegende Vorsichtsmaßnahmen immer zu beachten, um das Risiko von Feuer, Stromschlag und Verletzungen von Personen zu verringern, einschließlich der folgenden:

Wenn das Gerät beschädigt ist, wenden Sie sich an den Lieferanten, bevor sie es installieren und in Betrieb nehmen.

- Verwenden Sie es nicht im Freien.
- Verwenden Sie es nicht in unmittelbarer Nähe einer Badewanne, einer Dusche oder eines Schwimmbeckens.
- Stellen Sie das Gerät nicht unmittelbar unter einer festen Steckdose oder Anschlussdose auf.
- Verwenden Sie dieses Heizgerät nicht, wenn es hingefallen ist.
- Verwenden Sie das Heizgerät nicht, wenn es sichtbare Anzeichen einer Beschädigung aufweist.
- Verwenden Sie dieses Heizgerät auf einer horizontalen und stabilen Oberfläche.

Kinder unter 3 Jahren sollten vom Gerät ferngehalten werden, es sei denn, sie werden ständig beaufsichtigt.

Kinder im Alter von 3 bis 8 Jahren dürfen das Gerät nur ein- und ausschalten, wenn es in seiner bestimmungsgemäßen normalen Betriebsstellung aufgestellt oder installiert wurde und sie eine Aufsicht oder Anweisung über den sicheren Gebrauch des Gerätes erhalten haben und die damit verbundenen Gefahren verstehen. Kinder im Alter von 3 bis 8 Jahren dürfen das Gerät nicht anschließen, regeln und reinigen oder eine Benutzerwartung durchführen.

VORSICHT: Einige Teile dieses Produkts können sehr heiß werden und Verbrennungen verursachen. Besondere Aufmerksamkeit muss aufgewendet werden, wo Kinder und schutzbedürftige Personen anwesend sind.

Verwenden Sie dieses Gerät nicht in Reihe mit einer thermischen Steuerung, einem Programmregler, einer Zeitschaltuhr oder einer anderen Vorrichtung, die die Heizung automatisch einschaltet, da ein Brandrisiko besteht, wenn das Heizgerät versehentlich abgedeckt oder verschoben wird.

Stellen Sie sicher, dass alle Möbel, Vorhänge oder andere brennbare Materialien weiter als 1 Meter vom Gerät entfernt sind.

Trennen Sie im Falle eines Fehlers das Gerät vom Stromnetz.

Trennen Sie das Gerät vom Stromnetz, wenn es für längere Zeit nicht benötigt wird.

Das Gerät muss so positioniert werden, dass der Stecker zugänglich ist. Weitere Details finden Sie im Abschnitt „Elektrische Anforderungen“. Wenn das Netzkabel beschädigt ist, muss es durch den Hersteller oder dessen Kundendienst oder eine ähnlich qualifizierte Person ersetzt werden, um eine Gefährdung zu vermeiden.

Halten Sie das Netzkabel von der Vorderseite des Geräts fern.

WARNUNG: Dieses Gerät muss geerdet werden.

Von der Verwendung eines Verlängerungskabels oder eines Mehrfachstecker-Adapters beim Anschluss dieses Produkts an das Stromnetz wird abgeraten. Eine Verbindung über diese Vorrichtungen könnte zu einem Risiko der Überlastung, Überhitzung und sogar eines Brandes am Verlängerungskabel oder Adapter aufgrund unzureichender Verbindungsqualität führen.

Dieses Heizgerät darf nur an einer Wechselstromversorgung (~) verwendet werden, und die auf dem Heizgerät markierte Spannung muss mit der Versorgungsspannung übereinstimmen.

WARNUNG: Um Überhitzung zu vermeiden, darf das Gerät nicht abgedeckt werden. Legen Sie keine Materialien oder Kleidungsstücke auf das Gerät und behindern Sie nicht die Luftzirkulation um das Gerät herum.

Das Gerät trägt ein Warnsymbol NICHT ABDECKEN.



Dieses Gerät ist mit einer Vorrichtung zur Regelung der Raumtemperatur ausgestattet. Benutzen Sie dieses Gerät nicht in kleinen Räumen, wenn sie von Personen belegt sind, die nicht in der Lage sind, den Raum eigenständig zu verlassen, es sei denn, dass eine ständige Aufsicht gewährleistet ist.

Dimplex Vivente Plus Elektrisches Feuer

Modelle: VVT75, VVT100, VVT150

Vielen Dank, dass Sie sich für dieses elektrische Feuer von Dimplex entschieden haben.

Allgemeine Informationen

⚠ VORSICHT: Stellen Sie sicher, dass die Installation des Kamins keinen direkten Kontakt mit der Dampfsperre oder Isolierung des Gebäudes zulässt und allen örtlichen Bauvorschriften entspricht.

⚠ WARNUNG: Um das Brandrisiko zu verringern, dürfen Sie kein Benzin oder andere entflammbare Dämpfe oder Flüssigkeiten in der Nähe des Heizgeräts lagern oder verwenden.

1. Wählen Sie einen Ort, der nicht feuchtigkeitsempfindlich ist und sich nicht in der Nähe von Vorhängen, Möbeln und starkem Verkehr befindet.
2. Packen Sie den Kamin und das Zubehör aus dem Karton aus.

! HINWEIS: Lassen Sie das Frontglas und das teilweise reflektierende Glas sicher im Karton, bis Sie bereit zu deren Installation sind.

3. Bewahren Sie den Kamin bis zur Installation an einem sicheren, trockenen und staubfreien Ort auf.

Dieses elektrische Feuer ist für den Einbau in eine solide Konstruktion vorgesehen – wie etwa eine bestehende Schornsteinbrust- oder Gipskartonplatten-Konstruktion. Die Installation dieses Produkts darf nur von einem qualifizierten Fachmann durchgeführt werden.

Es gibt verschiedene Optionen, das Feuer anzuzeigen, darunter:

- Ein-, zwei- oder dreiseitige Installation
- Materialien, die auf das Brennstoffbett gelegt werden können

Bitte befolgen Sie diese Anweisungen, um Sie bei der Installation und dem Betrieb dieses Produkts zu unterstützen.

Technische Informationen

Wärmeleistung		230 V	240 V	
Nennwärmeleistung	P_{Nom}	1.4	1.5	kW
Mindestwärmeleistung	P_{min}	1.3	1.4	kW
Maximale Dauerwärmeleistung	P_{max}	1.4	1.5	kW
Hilfsstromverbrauch				
Im Standby-Modus	$e_{\text{el SB}}$	0.49	0.49	W

mit elektronischer Raumtemperaturregelung.

Installationsanweisungen

Schritt 1: Auswählen des Installationstyps

Der Vivente kann auf 4 verschiedene Arten konfiguriert werden:

- Einseitig – Nur Frontscheibe (siehe Abb. 1a)
- Zweiseitig rechts (siehe Abb. 1b)
- Zweiseitig links (siehe Abb. 1c)
- Dreiseitig (siehe Abb. 1d).

Der Vivente wird als dreiseitige Konfiguration geliefert.

Bitte befolgen Sie die nachstehenden Schritte zur Anpassung an Ihre gewünschte Anordnung:

1. Entfernen Sie die vordere untere Verkleidung am Gerät. Siehe Abb. 2.
2. An der gewünschten Seite, die Sie abdecken möchten, entfernen Sie die seitliche Glasverkleidung, die mit vier Schrauben befestigt ist. Befestigen Sie mit den gleichen vier Schrauben das Seitenpaneel an Stelle der Seitenverkleidung. Siehe Abb. 3A und 3B.
3. Wenn Sie nur die Frontscheibe anbringen wollen, wiederholen Sie Schritt 2 auf der gegenüberliegenden Seite des Produkts.
4. Montieren Sie die gewünschte Frontverkleidung am Produkt. (Dem Produkt liegen drei verschiedene Verkleidungen bei, um die verschiedenen Einrichtungsoptionen zu erleichtern.) Siehe Abb. 2.

Schritt 2: Installieren des Produkts

VORSICHT: Für verschiedene Schritte der Installation sind zwei Personen erforderlich.

Dieses Produkt ist für den Einbau in eine vorhandene Blockwand oder eine speziell angefertigte Ständerwandstruktur vorgesehen. Bitte konsultieren Sie einen qualifizierten Installateur, bevor Sie dies durchführen, um eine sichere Installation zu gewährleisten. Bei der Installation in einen vorhandenen Kamin oder Schornstein stellen Sie bitte sicher, dass der Kamin oder Schornstein blockiert ist. Dadurch soll verhindert werden, dass Zugluft den Produktbetrieb beeinträchtigt.

Elektrische Anforderungen

HINWEIS: Es ist ein dedizierter, ordnungsgemäß abgesicherter 13-Ampere-Stromkreis erforderlich, der für die entsprechende Spannung (230-240 V) ausgelegt ist. Ein Trennschalter sollte auch in Fällen eingebaut werden, in denen der Produktstecker nach der Installation nicht zugänglich ist. In der Basis des Produkts befindet sich eine Zugangsklappe. Es wird empfohlen, dass sich

der Stecker direkt unter dieser Klappe befindet, falls nach der Installation ein Zugang zum Stecker erforderlich ist. **WARNUNG:** Konstruktion und Verkabelung müssen den örtlichen Bauvorschriften und anderen geltenden Vorschriften entsprechen, um die Gefahr von Feuer, Stromschlag und Personenschäden zu verringern.

WARNUNG: Um die Gefahr von Feuer, Stromschlag und Personenschäden zu verringern, wenden Sie sich immer an einen zugelassenen Elektriker.

1. Erstellen Sie anhand der Produktabmessungen (Abb. 11) eine geeignete Struktur, in die das Produkt passt. Stellen Sie sicher, dass sich das Produkt nach der Installation innerhalb von 1 m Entfernung von einer Steckdose befindet. Weitere Informationen finden Sie oben im Abschnitt Elektrische Anforderungen.

Es wird empfohlen, den Sockel des Geräts in einer Höhe zwischen 200 mm und 800 mm über dem Boden zu installieren. Dies dient dazu, einen optimierten Blickwinkel auf den Feuereffekt zu erhalten. (Siehe Abb.12)

Das Produkt darf nicht das Gewicht der darüber befindlichen fertigen Wand tragen. Ziehen Sie die Verwendung eines Sturzes zur angemessenen Abstützung in Betracht.

2. Befestigen Sie das Produkt mit einer beliebigen Kombination der drei Befestigungsmethoden (Abb. 13 a, b, c) an seiner Tragkonstruktion.

3. Bauen Sie die fertige Wand an das Gerät an, indem Sie die Glasverkleidungen als Orientierung verwenden. Die fertige Wand sollte so gebaut sein, dass die Stromversorgung nach der Installation zugänglich ist.

Es wird empfohlen, zu Belüftungszwecken einen Freiraum von 150 mm direkt über dem Produkt zu belassen. (Abb. 12) Dieser Freiraum kann sich hinter der fertigen Wandfläche befinden.

Das Produkt sollte nicht mit Silikon oder Klebstoff abgedichtet werden, da dies den Luftstrom einschränken kann.

Schritt 3: Montage des Brennstoffbetts

Es wurde eine Reihe von Brennstoffbettmaterialien bereitgestellt, aus denen Sie Ihr gewünschtes Aussehen auswählen können.

Ein Satz hochwertiger keramischer Holzscheite verstärkt die Wirkung dieses Feuers. Bitte achten Sie beim Umgang mit diesen Holzscheiten darauf, dass sie nicht fallen gelassen oder aneinander gerieben werden, da sie leicht beschädigt werden können. Die folgenden Brennstoffbettmedien sind enthalten.

- Keramische Holzscheite
- Aschestaub
- Kristallstücke

Wir haben große Sorgfalt darauf verwandt, das unserer Meinung nach authentischste Brennstoffbett zu schaffen; bitte folgen Sie den nachstehenden Schritten für weitere Informationen. Beachten Sie bitte: Es kann auch eine Kombination von Brennstoffbettmedien vorgenommen werden, um eine einzigartige Brennstoffbett-Zusammenstellung zu schaffen.

1. Entfernen Sie die vordere Verkleidung vom Gerät. (Abb. 2)
2. Entfernen Sie das Frontglas vom Produkt und bewahren Sie es an einem sicheren Ort auf. (Ein Saugnapf wird mitgeliefert, um das Entfernen/Platzieren des Frontglases zu erleichtern.) (Abb. 6)
3. Platzieren Sie für einen zeitgenössischen Aufbau (Abb. 14) Kristalle auf dem Brennstoffbett und bedecken Sie die Oberseite des Brennstoffbettes damit. Diese sorgen für einen Glut-Effekt, wenn der Flammeneffekt in Betrieb ist.

4. Wenn Sie ein traditionelles Aussehen wünschen, können Sie die Holzscheite nach Ihrem Belieben oben auf dem Brennstoffbett anordnen. Bitte folgen Sie den Schritten am Ende dieses Dokuments, die eine visuelle Darstellung für die Holzscheit-Anordnung bieten. Für diesen Aufbau wird auch Aschestaub mitgeliefert. Streuen Sie diesen über das Brennstoffbett, um einen realistischen Holzverbrennungseffekt zu erzielen.
5. Führen Sie die Schritte 1 und 2 in umgekehrter Reihenfolge aus, um das Produkt wieder zusammenzubauen.

Ein Authentic Logset kann separat erworben werden, Teilenummern finden Sie in der Authentic Log-Tabelle.

Authentic Log	
Model	Part Number
VVT75	03/24180/0
VVT100	03/24181/0
VVT150	03/24183/0

Betrieb und Nutzung

WARNUNG: Die Nichtbeachtung dieser Bedienungsanleitung kann zu Verletzungen und/oder Schäden führen.

Vielen Dank, dass Sie sich für das Vivente entschieden haben. Wir wünschen Ihnen viel Freude mit Ihrem neuen elektrischen Feuer. Bitte nehmen Sie sich ein paar Minuten Zeit, um diese Anleitung zu lesen. Dies wird Ihnen helfen, alle der folgenden Funktionen zu verstehen und sie zu nutzen:

- Integrierte Steuerelemente
- Fernbedienung
- App-Steuerung
- Heizung – einschließlich „ComfortSaver“
- Flammeneffekte
- SmartSense

WARNUNG: Die Nichtbeachtung dieser Bedienungsanleitung kann zu Verletzungen und/oder Schäden führen.

Vielen Dank, dass Sie sich für das Vivente entschieden haben. Wir wünschen Ihnen viel Freude mit Ihrem neuen elektrischen Feuer. Bitte nehmen Sie sich ein paar Minuten Zeit, um diese Anleitung zu lesen. Dies wird Ihnen helfen, alle der folgenden Funktionen zu verstehen und sie zu nutzen:

- Integrierte Steuerelemente
- Fernbedienung
- App-Steuerung
- Heizung – einschließlich „ComfortSaver“
- Flammeneffekte
- SmartSense

ComfortSaver

Dieses elektrische Kaminfeuer arbeitet mit der ComfortSaver-Technologie, die die Lüftergeschwindigkeit und die Heizleistung basierend auf der Thermostateinstellung automatisch an die Raumanforderungen anpasst. Herkömmliche elektrische Heizgeräte arbeiten, indem sie einfach vollständig an- oder ausschalten, was zu Temperaturschwüngen von etwas zu warm bis etwas zu kalt führen kann.

ComfortSaver arbeitet so, dass, sobald der Raum die eingestellte Temperatur erreicht hat, Lüfter und Heizung kontinuierlich auf niedrigem Niveau laufen, um die gewünschte Raumtemperatur aufrechtzuerhalten, was zu komfortablerem Heizen führt und bis zu 11 % Energieeinsparung ermöglicht.

Wenn die Temperatur im Raum wesentlich ansteigt, d. h., wenn die Sonne durch ein Fenster scheint oder die Zentralheizung eingeschaltet wird, schaltet sich das Heizgerät aus. Es wird periodisch wieder eingeschaltet, um die Luft um das Gerät herum zirkulieren zu lassen, bis die Raumtemperatur sinkt und das Heizgerät wieder ständig eingeschaltet bleiben muss.

SmartSense

SmartSense erkennt Aktivität oder Bewegung in einem Raum und schaltet den Flammeneffekt automatisch ein, ohne dass Sie die Bedienelemente berühren müssen. SmartSense erkennt auch Inaktivität in einem Raum und schaltet das Produkt nach einer bestimmten Zeit in den Standby-Modus. Siehe Abb. 15, in der der Erfassungsbereich für SmartSense dargestellt ist.

Wenn das Feuer keine Aktivität feststellt, schaltet es sich von selbst aus. Sie können als Zeiträume dafür entweder 30 Minuten oder 3 Stunden wählen.

SmartSense wird für 3 Minuten deaktiviert, nachdem das Produkt in den Standby-Modus versetzt wurde. So können Sie den Raum verlassen, nachdem Sie das Produkt in den Standby-Modus versetzt haben, ohne die SmartSense-Funktion auszulösen.

SmartSense hat die folgenden drei Einstellungen:

„HOME (via APP)“

Bei dieser Einstellung schaltet SmartSense den Flammeneffekt nur dann ein, wenn es zwischen 17:00 und 23:00 Uhr eine Bewegung feststellt. Wenn Sie also tagsüber den Raum betreten, reagiert das Feuer nicht. Am Abend jedoch schaltet Ihr Dimplex-Feuer augenblicklich Ihren Flammeneffekt ein – und erinnert sich dabei an Ihre letzte Einstellung.

„24 Hr“ (Standard)

SmartSense schaltet den Flammeneffekt ein, wenn es zu einer beliebigen Tages- oder Nachtzeit eine Bewegung erkennt. Dies ist ideal für Einzelhandels- und Geschäftsumgebungen.

„OFF“

SmartSense kann ausgeschaltet werden, wobei das Produkt in allen anderen Aspekten normal funktioniert.

Bedienelemente





Das Gerät kann gesteuert werden durch:

- Integrierte/manuelle Steuerelemente, die sich oben rechts am Kamin befinden (siehe Abb. 16)
- Fernbedienung – mitgeliefert
- App-Steuerung – Verwendung einer speziellen App auf Ihrem Smartphone

Nicht alle Funktionen sind über die integrierten Steuerelemente zugänglich. Um auf alle Funktionen zugreifen zu können, ist die Smartphone-App erforderlich.

Bedienungsanleitung (INTEGRIERTE STEUERELEMENTE) – Siehe Abbildung 16

Das Gerät kann mit den manuellen Steuerelementen bedient werden, die sich oben rechts am Kamin befinden. Siehe Abb. 16.

Sym-bol	Funktion	Beschreibung
	Standby-Schalter	Schaltet das Produkt in den Standby-Modus. Bei Drücken auf „I“ zeigt die integrierte Anzeige fünf Sekunden lang „ST.BY“ und dann nur „.“, um den Standby-Zustand anzuzeigen.
	Menüzyklus-Taste	<p>Nach dem ersten Einschalten befindet sich das Produkt im Standby-Modus. Drücken Sie die Menüzyklus-Taste einmal: Dies schaltet den Flammeneffekt auf eine Standardeinstellung. Die integrierte Anzeige zeigt „ON“.</p> <p>Diese Taste blättert durch die Produkt-Einstellungsoptionen, wenn das Produkt in Betrieb ist. Diese Optionen sind „FIRE“, „AMB“, „HEAT“, „Set.T“, „TIMR“, „SNSR“ und „VOL“.</p> <p>„FIRE“: Die Einstellung der Flammenhelligkeit kann dann mit den Tasten „+“ oder „-“ angepasst werden. Es gibt sieben Einstellungen. (Das Display zeigt „-F1-“ bis „-F5-“ für die verschiedenen Helligkeitsstufen, „-F6-“ für den pulsierenden Effekt und „OFF“, wenn der Flammeneffekt ausgeschaltet ist.)</p> <p>„AMB“: Die Umgebungseinstellung kann dann mit den Tasten „+“ oder „-“ angepasst werden. Auf den integrierten Steuerelementen stehen sieben Einstellungen zur Verfügung. (Das Display zeigt „AMB1“ bis „AMB7“.) „AMB8“ ist eine anpassbare Stimmungseinstellung, die über die Dimplex Flame Connect-App verfügbar ist. Bitte beachten Sie: „-F6-“ ist keine verfügbare Einstellung, wenn Sie sich in „AMB6“, „AMB7“ oder „AMB8“ befinden.</p> <p>„HEAT“: Die eingestellte Temperatur „XXST“ wird für zwei Sekunden angezeigt, danach für weitere zwei Sekunden die Raumtemperatur „XX°C“. Die Wärmeeinstellung kann mit den Tasten „+“ bzw. „-“ ein- oder ausgeschaltet werden. (Display zeigt „ON“ oder „OFF“.)</p> <p>„Set.T“: Die Soll-Temperatur kann dann mit den Tasten „+“ oder „-“ angepasst werden. Der Temperaturbereich liegt zwischen 15 °C und 32 °C und wird in Schritten von 1 °C angegeben (Display zeigt „15ST“ bis „32ST“). Nach 2 Sekunden wird die aktuelle Raumtemperatur „XX °C“ angezeigt. Diese wird drei Sekunden lang angezeigt.</p> <p>„TIMR“: Der rücklaufende Timer kann mit den Tasten „+“ oder „-“ eingestellt werden. Der Timer kann zwischen 0,5 Std. und 8,0 Std. in Schritten von 0,5 Std. eingestellt werden. („0.5Hr“ bis „8.0 Hr“)</p> <p>„SNSR“: Die SmartSense-Einstellungen können mit den Tasten „+“ oder „-“ angepasst werden. „MIN“ schaltet das Produkt 0,5 Stunden nach der letzten erkannten Bewegung aus. „MAX“ schaltet das Produkt 3 Stunden nach der letzten erkannten Bewegung aus. „OFF“ – Bewegungssensor ausgeschaltet.</p> <p>„VOL“: Die Lautstärke kann mit den Tasten „+“ oder „-“ angepasst werden. Lautstärke hat sieben Einstellungen. („OFF“, wobei der Ton aus ist und „VOL1“ bis „VOL6“.)</p>
	Hoch-Taste „+“	Diese Taste erhöht die angezeigte Einstellung, wenn sie im Menü-Modus gedrückt wird.
	Runter-Taste „-“	Diese Taste verringert die angezeigte Einstellung, wenn sie im Menüzyklus-Modus gedrückt wird.













Benutzermodi:

Modusname/Beschreibung	Aktion (Aktionen können nicht per Fernbedienung eingegeben werden)
Deaktivieren/Aktivieren der Heizoptionen auf dem Produkt	Bei Hitze, drücken Sie fünf Sekunden lang gleichzeitig die Menüzyklus-Taste und die Taste „-“. Das Display zeigt „CD02“, die Heizung ist jetzt deaktiviert. Wiederholen Sie dies, um die Heizung wieder zu aktivieren.
Wechseln von Grad Celsius auf Grad Fahrenheit	Bei Hitze, drücken Sie fünf Sekunden lang gleichzeitig die Menüzyklus-Taste und die Taste „+“. Das Produkt schaltet dann von „-°C-“ auf „-°F-“ um. Wiederholen Sie dies, um zum Grad-Celsius-Modus zurückzukehren.
Auswahl des SmartSense-Modus	Die Einstellung „24Hr“ hält SmartSense die ganze Zeit aktiv. Dies ist die Standard-Einstellung. In der „HOME“-Einstellung hält das Produkt SmartSense zwischen 17 und 23 Uhr aktiv. Bitte beachten Sie: Das Produkt muss mit der „FLAME CONNECT“-App verbunden sein, damit die Einstellung „HOME“ funktioniert.

Fernbedienung

Der Kamin wird mit einer Fernbedienung geliefert.

Bedienungsanleitung für die FERNBEDIENUNG – Siehe Abbildung 17

	Sym- bol	Display	Funktion	Beschreibung
A		„FIRE“/ „ST.BY“	Power / Standby	Einmal drücken, um das Produkt einzuschalten. („ON“) Drücken Sie ein zweites Mal, um das Produkt in den Standby-Modus zu versetzen. („ST. BY“ wird angezeigt und dann „.“, um den Standby-Modus anzuzeigen.) (Wenn es aus dem STANDBY-Modus zurückkehrt, behält das Produkt die vorherigen Einstellungen bei, es sei denn, das Produkt würde vom Strom genommen; in diesem Fall wird es auf die Werkseinstellungen zurückkehren.)
B		„TIMR“	Timer-Zyklus	Diese Schaltfläche ändert die Timer-Einstellung. Dies kann zwischen 0,5 Stunden und 8,0 Stunden in Schritten von 0,5 Stunden eingestellt werden. ("0,5 Std." Bis "8,0 Std. + AUS") Mit jedem Tastendruck wird die Timer-Einstellung um 0,5 Stunden erhöht.
C		„SNSR“	Smart- Sense-Zyklus	Diese Schaltfläche durchläuft die SmartSense-Einstellungen. Anzeige wird lesen; "MIN", "MAX" oder "OFF". "MIN" schaltet das Produkt 0,5 Stunden nach der letzten im Raum festgestellten Bewegung aus. "MAX" schaltet das Produkt 3 Stunden nach der letzten im Raum festgestellten Bewegung aus. "OFF" - SmartSense ist ausgeschaltet
D		„ON“	Wärme-Mo- dus	Erster Knopfdruck aktiviert die Hitze. Das Display zeigt fünf Sekunden lang "ON - XXST - XX°C"
		„OFF“	Wärme-Mo- dus	Durch Drücken der zweiten Taste wird die Wärme deaktiviert. Das Display zeigt fünf Sekunden lang "OFF"
E		„15ST“	Temperatur runter	Drücken Sie einmal, um die aktuell eingestellte Temperatur anzuzeigen. Drücken Sie mehrmals, um die Heiztemperatur in Schritten von 1 °C abzusenken. Die niedrigste einstellbare Temperatur ist 15 °C.
F		„32ST“	Temperatur rauf	Drücken Sie einmal, um die aktuell eingestellte Temperatur anzuzeigen. Drücken Sie mehrmals, um die Heiztemperatur in Schritten von 1 °C zu erhöhen. Die höchste einstellbare Temperatur ist 32 °C.
G		„-F1-“	Flammenhelligkeit runter	Drücken Sie einmal, um die aktuelle Einstellung für die Flammenhelligkeit anzuzeigen. Drücken Sie mehrmals, um die Einstellung für die Flammenhelligkeit zu verringern. Der Bereich ist von „-F1-“ bis „-F6-“ und „OFF“.
H		„-F6-“	Flammenhelligkeit rauf	Drücken Sie einmal, um die aktuelle Einstellung für die Flammenhelligkeit anzuzeigen. Drücken Sie mehrmals, um die Einstellung für die Flammenhelligkeit zu erhöhen. Der Bereich ist „OFF“, dann „-F1-“ bis „-F6-“.
I		„VOL 1“	Lautstärke runter	Drücken Sie einmal, um die aktuelle Lautstärkeeinstellung anzuzeigen. Drücken Sie mehrmals, um die Lautstärkeeinstellung zu reduzieren. Der Bereich ist „OFF“, dann „VOL1“ bis „VOL6“.
J		„VOL6“	Lautstärke rauf	Drücken Sie einmal, um die aktuelle Lautstärkeeinstellung anzuzeigen. Drücken Sie mehrmals, um die Lautstärkeeinstellung zu erhöhen. Der Bereich ist „OFF“, dann „VOL1“ bis „VOL6“.
K		„AMB1“	Umgebungs- Zyklus	Drücken Sie einmal, um die aktuelle Umgebungseinstellung anzuzeigen. Durch nachfolgendes Drücken werden die Einstellungen durchlaufen. Der Bereich ist von „AMB1“ bis „AMB7“. „AMB8“ wird ebenfalls angezeigt, sobald es über die App aktiviert wurde.
L		„LGT1“	Lichtauswahl- Taste	Drücken Sie einmal, um alle Oberlichter sowie die Brennstoffbett- und Flammen-Farblichter einzuschalten. Durch nachfolgendes Drücken werden die EIN/AUS-Einstellungen für jede dieser Leuchten durchlaufen: „LGT1“ bis „LGT5“.

Übersicht der Produktmerkmale

Funktion	Integrierte Steuerelemente	Fernbedienung	App-Bedienung
Standby	✓	✓	✓
Temperatureinstellung (15 bis 32 °C)	✓	✓	✓
Heizung deaktivieren	✓	-	-
Heizmodus (ECO, Boost, Frostschutz, Nur Lüfter etc.)	-	-	✓
Flammenintensität	✓	✓	✓
Lautstärkeinstellung	✓	✓	✓
Rücklauf-Timer	✓	✓	✓
7-Tage-Timer	-	-	✓
Lautstärkeinstellung	✓	✓	✓
Umgebungslicht-Einstellung	✓	✓	✓
Umgebungslicht ein/aus	-	✓	✓
Umgebungslicht ein/aus	-	-	✓
SmartSense	✓	✓	✓

Smartphone-App

Mit „Flame Connect“ können Sie die Funktion Ihres Feuers über Bluetooth von Hand aus steuern. Suchen Sie in Ihrem App Store nach „Flame Connect“ und installieren Sie es, um damit zu starten.



Fehlercodes		
Integrierte Anzeige	Beschreibung	Maßnahme
CD20	Raumsensor (NTC) Fehler	Kontaktieren Sie Ihren Händler und nennen Sie ihm diesen Fehlercode.
CD03	Der interne NTC misst erhöhte Temperaturen im Produkt.	Ziehen Sie zum Zurücksetzen den Netzstecker des Gerätes aus der Steckdose, lassen Sie es abkühlen und schließen Sie es zum Neustart wieder an.
CD04	Interner Kommunikationsfehler	Kontaktieren Sie Ihren Händler und nennen Sie ihm diesen Fehlercode.
CD05	Der interne Temperatursensor ist ausgefallen.	Ziehen Sie zum Zurücksetzen den Netzstecker des Gerätes aus der Steckdose, lassen Sie es abkühlen und schließen Sie es zum Neustart wieder an.
CD53	Dieser Fehler wird angezeigt, wenn die Timer-Einstellungen nicht synchron sind. Dies tritt auf, wenn das Produkt länger als 40 Stunden vom Strom getrennt war. Das Produkt kann zu den festgelegten Zeiteinstellungen nicht mehr betrieben werden und CD53 wird angezeigt.	Setzen Sie die Timer-Einstellungen mit der „Flame Connect“-App zurück.

Flammeneffekt-Themen

Es sind verschiedene Kombinationen von Flammeneffekten verfügbar. Verschiedene Voreinstellungen für Beleuchtungs-Farbkombinationen sind verfügbar und können mit der Fernbedienung durchlaufen werden.

Weitere Anpassungen der Effekte sind über die Smartphone-App möglich.

Zurücksetzen des Temperatur-Schutzauslösers

Sollte sich das Heizgerät überhitzen, schaltet ein automatischer Schutzauslöser das gesamte Gerät ab und schaltet es nicht wieder ein, ohne dass es zuvor zurückgesetzt wurde. Das Gerät kann zurückgesetzt werden, indem man es von der Stromversorgung trennt und 5 Minuten wartet, bevor man es wieder einschaltet. Weitere Informationen finden Sie in der Tabelle Fehlercodes auf der vorherigen Seite.

⚠ VORSICHT: Wenn Sie das Heizgerät ständig zurücksetzen müssen, trennen Sie das Gerät von der Stromversorgung und wenden Sie sich an den technischen Support.

Wartung

WARNUNG: TRENNEN SIE DAS GERÄT IMMER VON DER STROMVERSORGUNG, BEVOR SIE DAS HEIZGERÄT REINIGEN.

Reinigung

Bevor Sie mit der Reinigung beginnen, nehmen Sie das Heizgerät von der Stromversorgung und lassen Sie es abkühlen. Die Oberflächen des Heizgerätes sollten gelegentlich mit einem trockenen, weichen Tuch abgewischt werden. Verwenden Sie keine Reinigungsmittel, Scheuermittel oder Möbelpolituren, da dies die Oberflächenbeschaffenheit des Produkts beschädigen kann.

Um Staub- oder Flusenansammlungen zu entfernen, sollte gelegentlich der weiche Bürstenaufsatz eines Staubsaugers verwendet werden, um das Auslassgitter des Heizlüfters zu reinigen, der sich oberhalb des Frontglases befindet.

Entfernen Sie die Brennstoffbettmedien, um den Flammeneffekt zu reinigen. Die Kunststoffschale sollte mit einem feuchten Tuch abgewischt werden. Nach dem Trocknen legen Sie die Scheite/Kristalle wieder auf das Brennstoffbett und ordnen Sie sie dort für die beste Wirkung an.

Das Front- und Seitenglas wird im Werk während des Montagevorgangs gereinigt. Während des Transports, der Installation, der Handhabung etc. können sich auf dem Front- und Seitenglas Staubpartikel ansammeln; diese können durch leichtes Abstauben mit einem sauberen, trockenen Tuch entfernt werden.

Um Fingerabdrücke oder andere Flecken zu entfernen, kann das teilweise reflektierende Glas mit einem feuchten Tuch gereinigt werden. Das teilweise reflektierende Glas sollte vollständig mit einem fusselreien Tuch abgetrocknet werden, um Wasserflecken zu vermeiden. Um Kratzer zu vermeiden, verwenden Sie bitte keine scheuernden Reinigungsmittel.

VORSICHT: Die Montage, Installation und Reparatur dieses Heizgeräts muss von Dimplex oder seinem autorisierten Vertreter durchgeführt werden.

VORSICHT: Wir empfehlen, dieses Heizgerät jährlich von einem qualifizierten Elektriker auf Sicherheit überprüfen zu lassen.

Zusatzinformationen

Kundendienst nach dem Kauf

Ihr Produkt hat eine Garantie von einem Jahr ab Kaufdatum. Innerhalb dieses Zeitraums verpflichten wir uns, dieses Produkt kostenlos zu reparieren oder auszutauschen, sofern es gemäß diesen Anweisungen installiert und betrieben wurde. Ihre Rechte aus dieser Garantie ergänzen Ihre gesetzlichen Rechte, die wiederum von dieser Garantie nicht berührt werden.

VORSICHT: Nicht verwenden, wenn das Netzkabel des Heizgeräts beschädigt ist. Eine solche Verwendung kann zu einer Gefährdung führen. Bei Beschädigung muss das Netzkabel vom Hersteller oder seinem Vertragshändler ausgetauscht werden.

Recycling



Für elektrische Produkte, die innerhalb der Europäischen Gemeinschaft verkauft werden – Am Ende der Nutzungsdauer des elektrischen Produkts darf es nicht mit dem Hausmüll entsorgt werden. Bitte entsorgen Sie es an den dafür vorgeschriebenen Orten. Erkundigen Sie sich bei Ihrer örtlichen Behörde oder Ihrem Händler nach einer Recycling-Beratung in Ihrem Land.

ATTENZIONE: leggere questa guida informativa attentamente per essere in grado di installare, utilizzare e mantenere il prodotto in modo sicuro.

Importante avviso di sicurezza

Quando vengono utilizzati dispositivi elettrici, dovrebbero essere sempre prese precauzioni di base per ridurre il rischio di incendio, scossa elettrica e lesioni a persone, tra cui quanto segue: Qualora l'apparecchiatura sia danneggiata, contattare il fornitore prima dell'installazione e del funzionamento.

- Non utilizzare all'aperto.
- Non utilizzare nelle immediate vicinanze di una vasca da bagno, doccia o piscina.
- Non posizionare l'apparecchiatura immediatamente al di sotto di una presa di rete fissa o scatola di connessione.
- Non utilizzare questa stufa qualora fosse stata fatta cadere.
- Non utilizzare se la stufa presenta danneggiamenti evidenti.
- Utilizzare questa stufa su una superficie orizzontale e stabile.

I bambini di età inferiore ai 3 anni devono essere tenuti lontani dall'apparecchiatura, salvo se sotto supervisione costante.

I bambini di età compresa tra i 3 e gli 8 anni possono soltanto accendere/spegnere l'apparecchiatura a condizione che siano supervisionati o che siano state fornite loro le istruzioni riguardanti l'uso sicuro dell'apparecchiatura e siano consapevoli dei pericoli connessi e a condizione che l'apparecchiatura sia collocata o installata nella posizione di funzionamento prevista. I bambini di età compresa tra 3 e 8 anni non devono collegare, regolare e pulire l'apparecchiatura o eseguirne la manutenzione.

ATTENZIONE: alcune parti di questo prodotto possono diventare molto calde e causare ustioni. È necessario prestare particolare attenzione in presenza di bambini o persone vulnerabili.

Non utilizzare questa apparecchiatura insieme a un sistema di controllo termico, regolatore di programma, un temporizzatore (timer) o qualsiasi altro dispositivo che accenda automaticamente il riscaldamento, poiché esiste un rischio di incendio se la stufa viene accidentalmente coperta o spostata.

Assicurarsi che l'arredamento, le tende o altro materiale combustibile siano posizionati a più di 1 metro dall'apparecchiatura.

In caso di guasto, disconnettere l'apparecchiatura.

Disconnettere l'apparecchiatura se il suo utilizzo non è necessario per lunghi periodi.

L'apparecchiatura deve essere posizionata in modo che la presa sia accessibile. Consultare la sezione sui Requisiti elettrici per maggiori informazioni. Se il cavo di alimentazione dell'apparecchiatura è danneggiato deve essere sostituito dal produttore o dall'assistenza tecnica o da personale ugualmente qualificato al fine di evitare rischi.

Mantenere il cavo di alimentazione lontano dalla parte anteriore dell'apparecchiatura.

Avvertenza: questa apparecchiatura deve essere messa a terra.

L'utilizzo di una prolunga o di un adattatore multipresa non è consigliabile quando si connette questo prodotto all'alimentazione principale. La connessione attraverso questi dispositivi potrebbe portare a un rischio di sovraccarico elettrico, di surriscaldamento e persino a un incendio in prossimità della prolunga o dell'adattatore a causa della qualità di connessione inadeguata.

Questa stufa deve essere utilizzata esclusivamente con un'alimentazione a corrente alternata (~) e il voltaggio evidenziato su di essa deve corrispondere al voltaggio dell'alimentazione.

AVVERTENZA: al fine di evitare il surriscaldamento, non coprire l'apparecchiatura. Non posizionare materiali o indumenti al di sopra dell'apparecchiatura od ostruire la circolazione dell'aria attorno alla stessa.

Questa apparecchiatura è provvista di un simbolo di avvertenza "NON COPRIRE".



Questa apparecchiatura è dotata di un dispositivo che controlla la temperatura ambiente. Non utilizzare questa stufa in stanze piccole occupate da persone incapaci di abbandonare la stanza da sole, a meno che non vi sia una supervisione costante.

Caminetto elettrico Vivente Plus di Dimplex

Modelli: VVT75, VVT100, VVT150

Vi ringraziamo per aver scelto un caminetto elettrico Dimplex.

Informazioni generali

⚠ ATTENZIONE: assicurarsi che l'installazione non permetta al caminetto di entrare direttamente a contatto con una barriera al vapore o materiale isolante e soddisfi tutti le normative edilizie locali.

⚠ AVVERTENZA: per ridurre il rischio di incendio, non riporre o utilizzare benzina o altri vapori o liquidi infiammabili in prossimità della stufa.

1. Selezionare un luogo che non sia soggetto ad umidità e sia lontano da tendaggi, arredamento e il passaggio frequente di persone.
2. Disimballare il caminetto e gli accessori dalla scatola.

! NOTA: lasciare il vetro anteriore e il vetro parzialmente riflettente al sicuro nella scatola fino a che non siano pronti per essere installati.

3. Riporre il caminetto in un luogo sicuro, asciutto e al riparo dalla polvere fino a che non sia pronto per essere installato.

Questo caminetto elettrico è ideato per essere installato all'interno di una struttura solida, come il vano esistente di un camino o una costruzione in cartongesso. L'installazione di questo prodotto dovrebbe essere effettuata da un professionista qualificato.

Esistono diverse opzioni per la visualizzazione del fuoco, tra cui:

- un'installazione a uno, due o tre lati
- i materiali che devono essere posizionati sopra al letto di braci

Seguire queste istruzioni che saranno d'aiuto per l'installazione e il funzionamento di questo prodotto.

Informazioni tecniche

Potenza termica		230V	240V	
Potenza termica nominale	P_{Nom}	1.4	1.5	kW
Potenza termica minima	P_{min}	1.3	1.4	kW
Potenza termica continua massima	P_{max}	1.4	1.5	kW
Consumo elettrico ausiliario				
In modalità Standby	eI_{SB}	0.49	0.49	W

con controllo temperatura ambiente.

Istruzioni di installazione

Passaggio 1: scegliere il tipo di installazione

Vivente può essere configurato in 4 modalità diverse:

- con un solo lato - solo vetro anteriore (vedere Fig. 1a)
- con due lati, di cui uno a destra (vedere Fig. 1b)
- con due lati, di cui uno a sinistra (vedere Fig. 1c)
- con tre lati (vedere Fig. 1d).

Vivente è provvisto di una configurazione a tre lati.

Attenersi ai passaggi seguenti per la configurazione desiderata.

1. Rimuovere l'inserto anteriore in basso sull'unità. Vedere Fig. 2
2. Sul lato che si desidera coprire, rimuovere l'inserto del vetro laterale che è trattenuto da quattro viti. Agganciare il pannello laterale invece dell'inserto laterale utilizzando le stesse quattro viti. Vedere Fig. 3A & 3B
3. Per l'installazione con il solo vetro frontale visibile, ripetere il passaggio 2 sul lato opposto del prodotto.
4. Montare l'inserto anteriore adeguato sul prodotto. (Tre diversi inserti sono forniti col prodotto per facilitare le varie opzioni di installazione). Vedere Fig. 2

Passaggio 2: Installare il prodotto

ATTENZIONE: saranno necessarie due persone per diversi passaggi di questo procedimento.

Questo prodotto è ideato per essere installato all'interno di una struttura con blocchi di cemento pre-esistente o una struttura a parete con montanti realizzata ad hoc. Rivolgersi a un installatore competente prima di effettuare l'installazione, affinché quest'ultima avvenga in modo sicuro e senza rischi. Se l'installazione avviene all'interno di un camino o di una canna fumaria, assicurarsi che siano bloccati, al fine di evitare che il tiraggio verso l'alto alteri il funzionamento del prodotto.

Requisiti elettrici

NOTA: è necessario un circuito da 13 A dedicato, adeguatamente protetto, classificato per la tensione appropriata (230-240 V). È inoltre necessario incorporare un interruttore di isolamento nei casi in cui la spina del prodotto non sia accessibile dopo l'installazione.

Un pannello di accesso è previsto nella base del prodotto, è consigliabile che la spina sia posizionata direttamente sotto questo pannello nel caso in cui sia richiesto l'accesso alla spina dopo l'installazione. **AVVERTENZA:** la costruzione e il cablaggio devono essere conformi alle norme edilizie e ad altre normative applicabili per ridurre il rischio di incendio, folgorazione e lesioni a persone.

AVVERTENZA: per ridurre il rischio di incendio, folgorazione o lesioni a persone, rivolgersi sempre un elettricista autorizzato.

1. Utilizzando le dimensioni del prodotto (Fig. 11), costruire una struttura adeguata all'interno della quale possa essere montato lo stesso. Assicurarsi che, una volta installato, il prodotto sia posizionato entro un metro da una presa di alimentazione. Fare riferimento alla sezione sui Requisiti elettrici di cui sopra per maggiori informazioni.

Si raccomanda di installare la base dell'unità a una distanza da terra tra i 200 e gli 800 mm. Ciò permette di avere una visione ottimizzata dell'effetto fuoco. (Vedere Fig. 12)

Il prodotto non deve sostenere il peso della parete situata al di sopra di esso. Prendere in considerazione l'utilizzo di un architrave per un sostegno adeguato.

2. Utilizzando qualsiasi combinazione dei tre metodi di fissaggio (Fig. 13 a, b, c), fissare il prodotto alla sua struttura di sostegno.

3. Costruire la parete a ridosso dell'apparecchiatura utilizzando gli inserti dei vetri come guida. La parete dovrebbe essere costruita in modo da permettere un accesso all'alimentazione a seguito dell'installazione.

Si raccomanda di lasciare uno spazio libero di 150mm direttamente al di sopra del prodotto a scopo di aerazione. (Fig. 12) Questo spazio libero può essere situato dietro la superficie della parete.

Il prodotto non deve essere sigillato con silicone o adesivi, poiché ciò potrebbe limitare il flusso di aria.

Passaggio 3: Montaggio del letto di braci

Viene fornita una serie di materiali per il letto di braci affinché sia possibile scegliere l'aspetto desiderato.

Un set di tizzoni in ceramica di qualità elevata ottimizza l'effetto del fuoco. Fare estrema attenzione quando vengono maneggiati questi tizzoni per assicurarsi che non vengano fatti cadere o che non strofinino l'uno contro l'altro, poiché è facile che si segnino. Sono inclusi i seguenti accessori del letto di braci:

- Tizzoni in ceramica
- Cenere
- Pezzi di cristallo

Abbiamo dedicato la massima cura alla creazione di quello che riteniamo sia il letto di braci più autentico. Seguire i passaggi successivi per ulteriori informazioni. Importante: è inoltre possibile mischiare e abbinare a piacimento gli accessori del letto di braci per creare un insieme unico.

1. Rimuovere l'inserto anteriore sull'unità. (Fig. 2)
2. Rimuovere il vetro anteriore dal prodotto e riporlo in un luogo sicuro. (Viene fornita una ventosa per aiutare a rimuovere/posizionare il vetro anteriore). (Fig. 6)
3. Per una composizione contemporanea (Fig. 14), posizionare i cristalli sul letto di braci, coprendone la superficie superiore. I cristalli produrranno l'effetto della brace, quando l'effetto fiamma è in funzionamento.
4. Per un aspetto tradizionale, posizionare invece i tizzoni sul letto di braci, a seconda del proprio gusto. Seguire i passaggi alla fine del presente documento che forniscono una rappresentazione visiva della sistemazione dei tizzoni. Per questo prodotto è inoltre fornita la cenere. Cospargerla sul letto di braci per produrre un effetto realistico della combustione di tizzoni.
5. Tornare ai passaggi 1 e 2 per rimontare il prodotto.

Un Authentic Logset può essere acquistato separatamente, vedere la tabella Authentic Log per i numeri di parte.

Authentic Log	
Model	Part Number
VVT75	03/24180/0
VVT100	03/24181/0
VVT150	03/24183/0

Funzionamento e utilizzo

AVVERTENZA: la mancata osservanza di queste istruzioni d'uso può dar luogo a lesioni e/o danni.

Vi ringraziamo di aver scelto Vivente. Speriamo che il nuovo caminetto elettrico sia di vostro gradimento. Vi preghiamo di dedicare qualche minuto alla lettura di queste istruzioni, che vi aiuterà a comprendere e sfruttare tutte le seguenti caratteristiche:

- comandi sul prodotto
- telecomando
- comandi tramite app
- riscaldamento – compreso “Comfort\$aver”
- effetti fiamma
- SmartSense

Comfort\$aver

Il funzionamento di questo caminetto elettrico si avvale della tecnologia Comfort\$aver, che regola automaticamente la velocità della ventola e la potenza del riscaldamento per soddisfare i requisiti della stanza in base alle impostazioni del termostato. Le stufette elettriche convenzionali funzionano semplicemente accendendosi o spegnendosi, passando da temperature un po' troppo elevate a temperature un po' troppo fredde.

Il funzionamento di Comfort\$aver fa sì che una volta che la temperatura ambiente raggiunge il valore prefissato, la ventola e la stufa continuano a funzionare a un livello basso, per mantenere la temperatura ambiente desiderata fornendo un riscaldamento più confortevole che si traduce in un risparmio di energia fino all'11%.

Se la temperatura nella stanza aumenta notevolmente, ad esempio se entra il sole dalla finestra o se si accende il riscaldamento centralizzato, la stufa si spegne e si riaccende periodicamente per far circolare l'aria attorno all'unità, fino a che la temperatura ambiente non scenda e non sia nuovamente necessario un funzionamento costante della stufa.

SmartSense

SmartSense rileva l'attività o il movimento nella stanza e accende automaticamente l'effetto fiamma, senza che l'utente debba toccare i comandi. SmartSense rileverà inoltre l'inattività nella stanza e dopo un certo periodo di tempo farà entrare il prodotto in modalità Standby. Vedere la Fig. 15 che illustra la zona di rilevamento per SmartSense.

Quando il fuoco non rileva alcuna attività, si spegnerà da solo. È possibile scegliere tra questi periodi di tempo, 30 minuti o 3 ore.

SmartSense si disattiva per 3 minuti dopo che il prodotto entra in modalità Standby e ciò avviene per permettere all'utente di lasciare la stanza dopo aver messo il prodotto in Standby, senza far scattare la funzione SmartSense.

SmartSense dispone delle tre impostazioni seguenti:

"HOME"

In questa impostazione SmartSense avvia l'effetto fiamma solo quando rileva un movimento tra le 17.00 e le 23.00, di conseguenza entrare nella stanza durante le altre ore del giorno non farà attivare la fiamma. Di sera, tuttavia, il caminetto Dimplex attiverà immediatamente l'effetto fiamma, avendo memorizzato l'ultima impostazione.

"24 Hr" (Predefinito)

SmartSense avvia l'effetto fiamma quando rileva movimenti in qualsiasi momento del giorno o della notte. La soluzione ideale per ambienti commerciali o negozi.

"OFF"

È possibile spegnere SmartSense, anche se le altre funzioni del prodotto continueranno a operare normalmente.

Comandi





Questa unità può essere controllata da:

- comandi manuali/sul prodotto situati nella parte in alto a destra del caminetto (Vedere Fig. 16)
- telecomando – in dotazione
- comandi tramite app. Utilizzare un'applicazione apposita sullo smartphone

I comandi sul prodotto non consentono tuttavia di accedere a tutte le funzioni. Per accedere alla gamma completa delle funzioni, è necessario avere l'applicazione per smartphone.

Istruzioni d'uso (COMANDI SUL PRODOTTO) - Vedere Figura 16

Il funzionamento di questa unità può essere predisposto utilizzando i comandi manuali situati sulla parte in alto a destra del caminetto. Vedere Fig. 16

Icona	Funzione	Descrizione
	Interruttore di standby	Fa entrare il prodotto in modalità Standby. Se viene premuto "1", lo schermo del display mostra "ST.BY" per cinque secondi e successivamente solo ".", a indicare la modalità standby in funzionamento.
	Pulsante di scorrimento del menu	<p>A seguito dell'accensione, il prodotto è in standby. Premere il pulsante di scorrimento del menu una volta: così facendo l'effetto fiamma segue un'impostazione predefinita. Lo schermo del display mostra "ON".</p> <p>Con questo pulsante è possibile scorrere le opzioni delle impostazioni del Prodotto, mentre il prodotto è in funzionamento. Le opzioni sono "FIRE", "AMB", "HEAT", "Set.T", "TIMR", "SNSR" e "VOL".</p> <p>"FIRE": L'impostazione di luminosità della fiamma può essere regolata utilizzando i pulsanti "+" o "-". Ci sono sette impostazioni. (Il display mostra da "-F1-" a "-F5-" per diversi livelli di luminosità, "-F6-" per un effetto pulsante e "OFF" quando l'effetto fiamma è spento).</p> <p>"AMB": L'impostazione per l'atmosfera può essere regolata utilizzando i pulsanti "+" o "-". Ci sono sette impostazioni disponibili sui comandi sul dispositivo. (Il display mostra da "AMB1" a "AMB7") "AMB8" è un'impostazione di modalità personalizzabile disponibile attraverso l'applicazione Flame Connect di Dimplex. Importante: "-F6-" non è un'impostazione disponibile nelle modalità "AMB6", "AMB7" o "AMB8".</p> <p>"HEAT": La temperatura impostata "XXST" viene visualizzata per due secondi, dopodiché viene visualizzata la temperatura ambiente "XX°C" per altri due secondi. L'impostazione di riscaldamento può essere spenta o accesa utilizzando rispettivamente i pulsanti "+" o "-". (Il display mostra "ON" o "OFF")</p> <p>"Set.T": La temperatura impostata può essere regolata utilizzando i pulsanti "+" o "-". L'intervallo della temperatura è tra i 15°C e i 32°C con incrementi di 1°C (il display mostra 15ST" fino a "32ST"). Dopo 2 secondi, viene visualizzata la temperatura ambiente attuale "XX °C". Questa viene visualizzata per tre secondi.</p> <p>"TIMR": Il timer può essere regolato utilizzando i pulsanti "+" o "-". È possibile effettuare un'impostazione tra 0,5 e 8 ore, aumentando di volta in volta di mezz'ora (0,5 ore) (da "0.5Hr" a "8.0 Hr")</p> <p>"SNSR": Le impostazioni SmartSense possono essere regolate utilizzando i pulsanti "+" o "-". "MIN" spegne il prodotto 30 minuti dopo la rilevazione dell'ultimo movimento. "MAX" spegne il prodotto 3 ore dopo la rilevazione dell'ultimo movimento. "OFF" - Sensore di movimento spento.</p> <p>"VOL": Il volume può essere regolato utilizzando i pulsanti "+" o "-". Il volume ha sette impostazioni. ("OFF", che corrisponde al suono disattivato e da "VOL1" a "VOL6")</p>
	Pulsante "+" di aumento	Questo pulsante aumenta l'impostazione visualizzata quando viene premuto, in modalità menu.
	Pulsante "-" di diminuzione	Questo pulsante diminuisce l'impostazione visualizzata quando viene premuto, in modalità di scorrimento del menu.

Modalità utente:

Nome/Descrizione della modalità	Azione (Azioni che non possono essere immesse tramite telecomando)
Attiva/Disattiva opzioni di calore sul prodotto	Quando in calore, premere sia il pulsante di scorrimento del menu sia il pulsante "-" per cinque secondi. Il display mostra "CD02", l'emissione di calore è ora disattivata. Ripetere per attivare l'emissione di calore.
Cambiare da gradi centigradi a gradi Fahrenheit.	Quando in calore, premere sia il pulsante di scorrimento del menu sia il pulsante "+" per cinque secondi. Il prodotto può allora cambiare da "-°C-" a "-°F-". Ripetere per tornare alla modalità in gradi centigradi.
Selezione della modalità SmartSense.	L'impostazione "24Hr" consente il funzionamento di SmartSense in qualsiasi momento. Questa è l'impostazione predefinita. Impostazione "HOME"; il prodotto fa funzionare SmartSense tra le 17.00 e le 23.00. Si ricorda che il prodotto deve essere connesso all'App "FLAME CONNECT" affinché l'impostazione "HOME" sia in funzionamento.

Telecomando

Il caminetto è provvisto di un telecomando.

Istruzioni d'uso per utilizzare il TELECOMANDO - Vedere Figura 17

	Ico- na	Display	Funzione	Descrizione
A		"FIRE" / "ST.BY"	Accensione / Standby	Premere una volta per accendere il prodotto. ("ON") Premere una seconda volta per far entrare il prodotto in standby. (Viene quindi visualizzato "ST.BY" e successivamente "." ad indicare la modalità standby in funzionamento). (Quando esce dalla modalità "STANDBY" il prodotto ritorna alle impostazioni precedenti, a meno che il prodotto non sia stato disconnesso dall'alimentazione, nel qual caso tornerà alle impostazioni di fabbrica).
B		"TMR"	Scorrimento temporizzatore o timer	Questo pulsante cambia l'impostazione del timer. Può essere impostato tra 0,5 ore e 8,0 ore con incrementi di 0,5 ore. (Da "0,5 ore" a "8,0 ore + OFF") Ogni volta che si preme il pulsante, l'impostazione del timer aumenta di 0,5 ore.
C		"SNSR"	Scorrimento SmartSense	Questo pulsante consente di scorrere le impostazioni di SmartSense. Il display leggerà: "MIN", "MAX" o "OFF". "MIN" spegne il prodotto 0,5 ore dopo l'ultimo movimento rilevato nella stanza. "MAX" spegne il prodotto 3 ore dopo l'ultimo movimento rilevato nella stanza. "OFF" - SmartSense è disattivato
D		"ON"	Modalità calore	La prima pressione del pulsante attiva il riscaldamento. Il display visualizza "ON - XXST - XX°C".
		"OFF"	Modalità calore	La seconda pressione del tasto disattiva il calore. Il display mostra "OFF"
E		"15ST"	Diminuzione della temperatura	Premere una volta per visualizzare la temperatura attualmente impostata. Premere diverse volte per abbassare la temperatura della stufa con una variazione minima di 1°C. La temperatura più bassa che può essere impostata è pari a 15°C.
F		"32ST"	Aumento della temperatura	Premere una volta per visualizzare la temperatura attualmente impostata. Premere diverse volte per aumentare la temperatura della stufa con una variazione minima di 1°C. La temperatura più alta che può essere impostata è pari a 32°C.
G		"-F1-"	Diminuzione della luminosità della fiamma	Premere una volta per visualizzare la luminosità della fiamma attualmente impostata. Premere per ridurre l'impostazione di luminosità della fiamma. È possibile scegliere da "-F1-" a "-F6-" e "OFF".
H		"-F6-"	Aumento della luminosità della fiamma	Premere una volta per visualizzare la luminosità della fiamma attualmente impostata. Premere per aumentare l'impostazione di luminosità della fiamma. È possibile scegliere da "-F1-" a "-F6-" e "OFF".
I		"VOL1"	Abbassamento del volume	Premere una volta per visualizzare l'impostazione del volume attuale. Premere per ridurre l'impostazione del volume. È possibile scegliere da "VOL1" a "VOL6" e "OFF".
J		"VOL6"	Aumento del volume	Premere una volta per visualizzare l'attuale impostazione del volume. Premere per aumentare l'impostazione del volume. È possibile scegliere da "VOL1" a "VOL6" e "OFF".
K		"AMB1"	Scorrimento atmosfera	Premere una volta per visualizzare l'attuale impostazione atmosfera. Premere più volte il pulsante farà scorrere le impostazioni. È possibile scegliere da "AMB1" a "AMB7". Verrà inoltre visualizzato "AMB8" una volta attivato tramite app.
L		"LGT1"	Pulsante di selezi- one della luce	Premere una volta per visualizzare e accendere tutte le luci superiori e le luci per il colore del letto di braci e della fiamma. Successivamente scorrere tra le impostazioni di accensione e spegnimento per ciascuna di queste luci. Da "LGT1" a "LGT5"

Sommario delle caratteristiche del prodotto

Funzione	Comandi sull'apparecchiatura	Telecomando	Comandi tramite app
Standby	✓	✓	✓
Regolazione della temperatura (15 - 32°C)	✓	✓	✓
Disattiva emissione di calore	✓	-	-
Modalità riscaldamento (ECO, Boost, Protezione antigelo, Solo ventola, ecc.)	-	-	✓
Intensità della fiamma	✓	✓	✓
Impostazione del volume	✓	✓	✓
Timer	✓	✓	✓
Timer 7 giorni	-	-	✓
Impostazione del volume	✓	✓	✓
Impostazione della luce atmosfera	✓	✓	✓
Luce atmosfera accesa/spenta	-	✓	✓
Atmosfera personalizzabile	-	-	✓
SmartSense	✓	✓	✓

App per smartphone

“Flame connect” consente di controllare il funzionamento della fiamma tramite Bluetooth, dal palmo della propria mano. Cercare “Flame Connect” nell’app store e installarlo per l’avvio.



Codici di errore		
Display sull'appar- ecchiatura	Descrizione	Azione
CD20	Errore (NTC) del sensore da stanza	Contattare il rivenditore e riferire di questo codice d'errore
CD03	L'NTC interno misura le temperature elevate all'interno del prodotto.	Scollegare l'unità dall'alimentazione per ripristinarla, permetterle di raffreddare e successivamente ricollegarla all'alimentazione e riavviarla.
CD04	Errore di comunicazione interna	Contattare il rivenditore e riferire di questo codice d'errore
CD05	Il sensore di rilevazione della temperatura interna non funziona.	Scollegare l'unità dall'alimentazione per ripristinarla, permetterle di raffreddare e successivamente ricollegarla all'alimentazione e riavviarla.
CD53	Questo errore viene visualizzato quando le impostazioni del timer non sono sincronizzate. Ciò avviene quando il prodotto è rimasto scollegato dall'alimentazione per oltre 40 ore. Il funzionamento del prodotto non avviene più secondo impostazioni di tempo determinate e viene visualizzato CD53.	Ripristinare le impostazioni del timer utilizzando l'app Flame Connect.

Temi dell'effetto fiamma

Esistono diverse combinazioni disponibili per l'effetto fiamma. Sono disponibili diverse impostazioni predefinite delle combinazioni di colore dell'illuminazione ed è possibile scorrere fra di esse utilizzando il telecomando.

Ulteriori effetti di personalizzazione sono accessibili dall'app sullo smartphone.

Ripristinare il limitatore di temperatura

In caso di surriscaldamento della stufa, un limitatore di temperatura spegnerà l'intera unità, che non si accenderà più senza essere ripristinata. Il ripristino è possibile tramite lo spegnimento dell'alimentazione e un'attesa di 5 minuti prima della riaccensione dell'unità. Vedere la tabella sui codici di errore alla pagina precedente per ulteriori dettagli.

⚠ ATTENZIONE: se è necessario un ripristino continuo della stufa, scollegare l'alimentazione dall'unità e chiamare l'assistenza tecnica.

Manutenzione

AVVERTENZA: SCOLLEGARE SEMPRE L'UNITÀ DALLA PRESA DI RETE PRIMA DI ESEGUIRE LA PULIZIA DELLA STUFA.

Pulizia

Prima di iniziare la pulizia, scollegare la stufa e lasciarla raffreddare. Le superfici della stufa dovrebbero essere occasionalmente pulite con un panno morbido e asciutto. Non utilizzare polveri detergenti, abrasive o lucidi per arredamento poiché potrebbero danneggiare la finitura superficiale del prodotto.

Al fine di rimuovere qualsiasi accumulo di polvere o lanugine, dovrebbe essere utilizzata occasionalmente una spazzola morbida collegabile all'aspirapolvere per effettuare la pulizia della griglia della ventola situata al di sopra del vetro anteriore.

Per pulire l'effetto brace, rimuovere gli accessori dal letto di braci. Il vassoio di plastica deve essere pulito con un panno umido. Una volta asciutto riposizionare i tizzoni/cristalli sul letto di braci e sistemare per l'effetto migliore.

I vetri anteriore e laterale sono puliti in fabbrica durante l'operazione di assemblaggio. Durante la spedizione, l'installazione, il maneggiamento, ecc., i vetri anteriore e laterale potrebbero attrarre particelle di polvere; queste ultime possono essere rimosse spolverando delicatamente con un panno pulito e asciutto.

Per rimuovere impronte digitali o altri segni, il vetro parzialmente riflettente può essere pulito con un panno umido. Il vetro parzialmente riflettente deve essere completamente asciugato con un panno privo di lanugine, al fine di evitare macchie d'acqua. Per evitare graffi, non utilizzare detergenti abrasivi.

ATTENZIONE: l'installazione, la riparazione e l'assemblaggio di questa stufa devono essere effettuati da Dimplex o da un agente autorizzato.

ATTENZIONE: per ragioni di sicurezza consigliamo un controllo annuale della stufa effettuato da un elettricista qualificato.

Informazioni aggiuntive

Servizio post-vendita

Il vostro prodotto ha una garanzia di un anno a partire dalla data di acquisto. In questo periodo, ci impegniamo a riparare o sostituire il prodotto gratuitamente, purché sia installato e fatto funzionare in conformità con queste istruzioni. I vostri diritti ai sensi della presente garanzia sono aggiuntivi rispetto ai diritti del consumatore, che a loro volta non risentono della presente garanzia.

ATTENZIONE: non utilizzare in caso di danneggiamento del cavo dell'alimentazione della stufa. Tale utilizzo potrebbe costituire un pericolo. Se danneggiato, il cavo dell'alimentazione deve essere sostituito dal produttore o da un rivenditore autorizzato.

Smaltimento



Per prodotti elettrici venduti all'interno dell'Unione Europea - Al termine della vita utile, un prodotto elettrico non deve essere smaltito con i rifiuti domestici. Si prega di smaltire nelle strutture apposite. Verificare con le autorità locali o con il rivenditore per consigli sullo smaltimento nel proprio paese.

PRECAUCIÓN: Por favor, lea esta guía con atención para poder instalar, utilizar y realizar las tareas de mantenimiento de su producto de forma segura.

Consejo importante de seguridad:

Cuando utilice aparatos eléctricos, debe seguir siempre unas medidas de prevención básicas para reducir el riesgo de incendio, descarga eléctrica o daños a personas. Entre esas medidas se encuentran las siguientes:

Si el aparato está dañado, consulte al proveedor antes de instalarlo y utilizarlo.

- No lo utilice en exteriores.
- No lo utilice en el entorno inmediato de un baño, una ducha o una piscina.
- No lo coloque justo a continuación de un enchufe o de una caja de conexiones.
- No lo utilice si se ha caído.
- No lo utilice si hay signos visibles de daños.
- Utilícelo sobre una superficie estable horizontal.

Los niños menores de 3 años deberán mantenerse alejados salvo que estén supervisados de forma continuada. Los niños mayores de 3 años y menores de 8 solo podrán encender y apagar el aparato si se ha colocado o instalado en la posición normal de uso y siempre que hayan recibido instrucciones sobre cómo utilizarlo de forma segura y hayan comprendido los peligros que entraña. Los niños mayores de 3 años y menores de 8 no podrán conectar, regular ni limpiar el aparato; además, tampoco podrán realizar tareas de mantenimiento a nivel de usuario.

PRECAUCIÓN: algunas piezas del producto pueden calentarse mucho y causar quemaduras. Se deberá prestar especial atención cuando haya niños o personas vulnerables presentes.

No utilice esta estufa en serie con reguladores térmicos, controladores programables, temporizadores u otros dispositivos que enciendan automáticamente el aparato, ya que existe riesgo de incendio si la estufa se cubre o se desliza de forma accidental.

Asegúrese de que los muebles, cortinas y otros materiales inflamables están situados a, como mínimo, 1 metro de la estufa.

En caso de avería, desconecte el aparato.

Desconéctelo también si no lo va a utilizar durante períodos prolongados.

El aparato deberá colocarse de forma que el enchufe esté accesible. Para conocer más detalles, consulte la sección de "Requisitos técnicos". Si el cable de alimentación está dañado, deberá sustituirlo el fabricante, un agente de este o una persona con una formación similar para evitar peligros.

Mantenga el cable de alimentación alejado de la parte frontal de la estufa.

ATENCIÓN: El aparato debe conectarse a tierra.

No se recomienda utilizar cables de prolongación ni adaptadores cuando conecte el producto a la red. De utilizarlos, podría existir riesgo de sobrecarga, de sobrecalentamiento e incluso de incendio en la prolongación o en el adaptador por una calidad de conexión inadecuada.

Esta estufa solo se podrá utilizar en corriente alterna y la tensión que indica deberá corresponderse con la corriente de alimentación.

ATENCIÓN: para evitar que el aparato se sobrecaliente, no lo cubra. No coloque materiales ni ropa sobre la estufa, y no obstruya la circulación de aire alrededor.

El aparato lleva un indicador de “ATENCIÓN” que reza “NO CUBRIR”. 

El aparato viene equipado con un dispositivo de control de la temperatura ambiente. No lo utilice en espacios pequeños ocupados por personas incapaces de dejar la habitación por sí mismas, salvo que se les proporcione supervisión constante.

Chimenea eléctrica Vivente Plus de Dimplex

Modelos: VVT75, VVT100, VVT150

Gracias por escoger una chimenea eléctrica Dimplex.

Información general

⚠ PRECAUCIÓN: Asegúrese de que la instalación no permita que la chimenea entre en contacto directo con la barrera de vapor o el aislamiento del edificio, y de que cumpla con todos los códigos de edificación locales.

⚠ ATENCIÓN: Para minimizar el riesgo de incendio, no almacene ni utilice gasolina, ni otros vapores o líquidos inflamables en los alrededores de la estufa.

1. Seleccione una localización que no sea proclive a sufrir humedades y que esté alejada de cortinas, muebles y tránsito habitual.
2. Desempaquete la chimenea y los accesorios de la caja.

! NOTA: deje el cristal frontal y el cristal parcialmente reflectante con cuidado en la caja hasta que vaya a instalar el aparato.

3. Guarde la chimenea en un lugar seguro, seco y libre de polvo hasta que esté preparada.

Esta chimenea eléctrica está diseñada para que la instalen en una construcción sólida como una chimenea existente o una superficie de cartón yeso. El encargado de instalar el producto deberá ser un profesional cualificado.

Dispone de varias opciones para presentar la chimenea; entre ellas:

- Instálela mostrando uno, dos o tres lados;
- Personalice los materiales para el lecho.

Por favor, siga estas instrucciones como guía para instalar y utilizar el producto.

Información técnica

Salida de calor		230V	240V	
Salida de calor nominal	P_{Nom}	1.4	1.5	kW
Salida de calor mínima	P_{min}	1.3	1.4	kW
Salida de calor máxima continua	P_{max}	1.4	1.5	kW
Consumo de electricidad auxiliar				
En modo de espera	el_{SB}	0.49	0.49	W

Con control de temperatura ambiente electrónico.

Instrucciones de instalación

Paso 1: escoger el tipo de instalación

La Vivente se puede configurar de 4 formas distintas:

- De un solo lado: solo cristal frontal (ver Fig. 1a)
- De dos lados, por la derecha (ver Fig. 1b)
- De dos lados, por la izquierda (ver Fig. 1c)
- De tres lados (ver Fig. 1d).

La Vivente se entrega configurada para tres lados.

Por favor, siga estos pasos para ajustar la configuración a su gusto.

1. Retire la moldura frontal inferior, como se indica en la Fig. 2.
2. Sobre el lado que desea cubrir, retire la moldura de cristal lateral, que va sostenida por cuatro tornillos. Coloque el panel lateral en el lugar de la moldura lateral con los mismos cuatro tornillos (Figuras 3a y 3b).
3. Para configurarla como “solo cristal”, repita el paso 2 en el lado opuesto del producto.
4. Coloque la moldura frontal adecuada sobre el producto (con el producto recibirá tres molduras distintas para facilitar las diversas opciones de montaje). Consulte la Fig. 2.

Paso 2: Instalar el producto

PRECAUCIÓN: Se necesitarán dos personas para varios pasos de este procedimiento.

Este producto se ha diseñado para que lo instalen en una pared existente o en una estructura a medida encastrada en la pared. Por favor, consulte a un instalador cualificado antes de comenzar para asegurarse de que lo instala de forma segura. Si lo instala dentro del hueco de una chimenea existente, asegúrese de que está bloqueado para evitar corrientes ascendentes que puedan afectar al producto cuando esté funcionando.

Requisitos técnicos

NOTA: Se requiere un circuito de 13 amperios dedicado y debidamente fusionado, clasificado para el voltaje apropiado (230-240 V). También se debe incorporar un interruptor de aislamiento en los casos en que el enchufe del producto sea inaccesible después de la instalación.

Se proporciona un panel de acceso en la base del producto, es aconsejable que el enchufe esté ubicado directamente debajo de este panel en caso de que se requiera acceso al enchufe después de la instalación.

ATENCIÓN: la construcción y el cableado deben cumplir con los códigos de construcción locales y otras normativas aplicables para reducir el riesgo de incendio, de descarga eléctrica y de daños a personas.

ATENCIÓN: para reducir el riesgo de incendio, de descarga eléctrica y de daños a personas, pida ayuda a un electricista profesional.

1. Teniendo en cuenta las dimensiones del producto (Fig. 11), construya una estructura estable adaptada. Asegúrese de que, una vez instalado, el producto está a 1m de distancia de una toma de corriente. Si necesita más detalles, consulte la sección anterior de “Requisitos técnicos”.

Se recomienda que la base de la unidad se instale entre 200 mm y 800 mm desde el nivel del suelo para mantener un ángulo de visión optimizado del efecto de las llamas (ver Fig. 12).

El producto no puede soportar el peso de la pared que tiene encima. Plantéese utilizar un dintel para aguantarlo.

2. Con una combinación de tres métodos de sujeción (Fig. 13A, B y C), fije el producto a la estructura de apoyo.

3. Construya el muro en torno al aparato utilizando las molduras de cristal como guía. El muro se debería construir de tal forma que permita que el suministro eléctrico esté accesible después de la instalación.

Se recomienda dejar 150 mm de espacio justo encima del producto para ventilar (Fig. 12). Esta zona de ventilación puede situarse detrás de la superficie de pared terminada.

El producto no debería sellarse en la estructura con silicona ni con adhesivo, ya que puede cortar el flujo de aire.

Paso 3: Montar el lecho

Con el producto ha recibido diversos materiales para crear el lecho de forma que pueda escoger el aspecto que desee.

Para mejorar el efecto, dispone de un lote de leños de cerámica de alta calidad. Tenga mucho cuidado cuando los manipule para que no se le caigan ni se dañen, ya que son frágiles. Dispone de los siguientes materiales para el lecho:

- Leños cerámicos
- Polvo de ceniza
- Pedazos de cristal

Nos hemos esforzado en crear lo que consideramos que es el lecho más auténtico. Por favor, siga los siguientes pasos para obtener más información. Por supuesto, también puede combinar diversos componentes del lecho para crear una configuración única.

1. Retire la moldura frontal (Fig. 2).
2. Retire el cristal frontal del producto y guárdelo en un lugar seguro. Recibirá una ventosa para retirarlo/colocarlo (Fig. 6).
3. Para una disposición contemporánea (Fig. 14), coloque los cristales en el lecho, cubriéndole la superficie. De este modo, logrará un efecto brillante de brasas cuando el efecto esté funcionando.
4. Para lograr un aspecto tradicional, coloque los leños en la parte superior del lecho según su preferencia. Siga los pasos explicados al final de este documento, ya que en ellos se le proporciona una representación visual de cómo disponerlos. Para esta configuración también necesitará el polvo de ceniza. Espárzalo por el lecho para conseguir un efecto más real de leños ardiendo.
5. Repita a la inversa los pasos 1 y 2 para volver a montar el producto.

Se puede comprar un conjunto de registros auténticos por separado; consulte la tabla de registros auténticos para conocer los números de pieza.

Authentic Log	
Model	Part Number
VVT75	03/24180/0
VVT100	03/24181/0
VVT150	03/24183/0

Funcionamiento y uso

ATENCIÓN: si no cumple con estas instrucciones de uso, podrá lastimarse o lesionarse.

Gracias por escoger la Vivente. Esperamos que disfrute de su nueva chimenea eléctrica. Por favor, tómese unos minutos para leer estas instrucciones, que le ayudarán a comprender y beneficiarse de las siguientes características:

- Botones
- Mando a distancia
- Aplicación
- Calefacción – incluido “Comfort\$aver”
- Efecto de llamas
- SmartSense

Comfort\$aver

La chimenea funciona con tecnología Comfort\$aver, que ajusta automáticamente la velocidad del ventilador y la potencia de la calefacción para cumplir con las necesidades ambientales según lo que indique el termostato. Las calefacciones eléctricas convencionales funcionan simplemente estando encendidas o apagadas, lo cual puede resultar en oscilaciones de calor ligero a frío excesivo.

Comfort\$aver funciona de modo que, cuando la habitación alcanza el punto establecido, el ventilador y la calefacción seguirán funcionando de forma continuada a nivel bajo para mantener la temperatura ambiente deseada, logrando de este modo una fuente de calor más cómoda que, además, se traduzca en hasta un 11% de ahorro de energía.

Si la temperatura del espacio asciende de forma notable (por ejemplo, si el sol entra por la ventana o si se ha encendido la calefacción central) la estufa se apagará y se volverá a encender periódicamente para mover el aire alrededor del aparato hasta que la temperatura se reduzca y sea preciso que la estufa vuelva a estar encendida constantemente.

SmartSense

SmartSense detecta actividad o movimiento en un espacio y activa automáticamente el efecto de las llamas sin necesidad de que toque los botones. Además, SmartSense detectará la inactividad en un espacio y, tras un cierto período, pondrá el producto en espera. Consulte la Fig. 15, que ilustra la zona de detección de SmartSense.

Cuando no detecta actividad alguna, se apaga automáticamente. Puede elegir períodos de 30 minutos o de 3 horas.

SmartSense se desactiva durante 3 minutos cuando el producto esté en espera, lo cual le permite salir de la habitación tras haber puesto el producto en espera, sin activar la función SmartSense.

SmartSense cuenta con los siguientes modos:

“HOGAR” (via APP)

En este modo, SmartSense solo activará el efecto de las llamas cuando detecte movimiento entre las 5 y las 11 pm; por lo tanto, si accede a la habitación a lo largo del día, la chimenea no reaccionará. No obstante, la chimenea Dimplex se activará instantáneamente con el efecto de las llamas en la última configuración que estableció.

“24 HORAS” (por defecto)

SmartSense activará el efecto de las llamas cuando detecte movimiento en cualquier momento del día o de la noche. Es ideal para espacios comerciales.

"OFF"

Puede apagar SmartSense, de forma que el producto funcionará con normalidad en todos los demás aspectos.

Controles





Puede manejar el producto con:

- Los botones manuales, que están situados en la esquina superior derecha de la chimenea (consultar Fig. 16).
- El mando a distancia (incluido).
- La aplicación: puede utilizar la aplicación particular en su teléfono móvil.

En cualquier caso, no puede controlar todas las funciones con los botones. Para acceder a todas las posibilidades que le ofrece el producto, necesitará la aplicación para móvil.

Instrucciones de uso (botones físicos): consulte la Fig. 16

Puede utilizar el producto a través de los botones manuales situados en la esquina superior derecha de la chimenea. Consulte la Fig. 16.

Icono	Función	Descripción
	Interruptor de espera	Pone el producto en espera. Cuando se coloca en la posición "I", la pantalla mostrará el texto "ST.BY" durante cinco segundos y, después, mostrará "." para indicar que está en espera.
	Botón de Menú	<p>Al encenderlo, el producto está en espera. Presione el botón de Menú una vez: de este modo, se encenderá el efecto de las llamas en configuración por defecto. La pantalla mostrará el texto "ON".</p> <p>Con este botón podrá navegar por distintas opciones de configuración cuando el producto está encendido. Las opciones son "FIRE", "AMB", "HEAT", Set.T", "TIMR", "SNSR" y "VOL".</p> <p>"FIRE": podrá ajustar la configuración de brillo utilizando los botones de "+" y "-". Hay siete configuraciones distintas (la pantalla le mostrará los distintos modos de brillo, de "F1" a "F5"; "F6" para el efecto intermitente; y "OFF" para apagar el efecto de las llamas.</p> <p>"AMB": puede ajustar la configuración ambiental utilizando los botones "+" y "-". Dispone de 7 configuraciones distintas en los botones. La pantalla se las irá mostrando desde "AMB1" hasta "AMB7". Además, dispone de "AMB8", una configuración personalizable, con la aplicación Dimplex Flame Connect. Nota: la configuración "F6" no está disponible en los modos "AMB6", "AMB7" y "AMB8".</p> <p>"HEAT": se mostrará durante dos segundos la temperatura programada "XXST". Después de ese tiempo, verá la temperatura ambiental ("XX°C") durante otros dos segundos. Podrá encender o apagar la calefacción utilizando los botones "+" o "-" respectivamente (la pantalla mostrará los avisos "ON" y "OFF").</p> <p>"Set.T": puede ajustar la temperatura utilizando los botones "+" y "-". La amplitud térmica oscila entre los 15°C y los 32°C en tramos de 1°C (la pantalla le irá indicando desde "15ST" hasta "32ST"). Después de 2 segundos, verá en la pantalla la temperatura ambiental ("XX °C") durante tres segundos.</p> <p>"TIMR": puede ajustar el temporizador utilizando los botones "+" o "-" en tramos de entre 0,5h y 8h ("0,5Hr" - "8,0Hr").</p> <p>"SNSR": puede ajustar la configuración de SmartSense utilizando los botones "+" o "-". La función "MIN" apaga el aparato 0,5h desde que se detecte el último movimiento. La función "MAX" lo apaga tres horas después de que se detecte el último movimiento. "OFF" indica que se ha desactivado el sensor de movimiento.</p> <p>"VOL": puede ajustar el volumen con los botones "+" o "-". Dispone de 7 configuraciones de volumen ("OFF", que desactiva el volumen; y las diferentes intensidades del volumen, desde "VOL1" hasta "VOL6").</p>
	Aumentar con botón "+"	Este botón le servirá para aumentar la configuración que se muestra si se presiona desde el modo Menú.
	Reducir con botón "-"	Este botón le servirá para reducir la configuración que se muestra si se presiona desde el modo Menú.



Modos de usuario:

Nombre del modo/Descripción	Acción (las acciones no se pueden iniciar con el mando a distancia)
Desactivar/Activar opciones de calor en el producto	Cuando en celo, presione el botón de menú y el botón "-" durante cinco segundos. La pantalla indicará "CD02", lo cual indicará que la calefacción está desactivada. Repita la acción para activar la calefacción.
Cambiar de Celsius a Fahrenheit	Cuando en celo, presione el botón de menú seguido del botón "+" durante cinco segundos; después de este tiempo podrá pasar de "-° C" a "-° F". Invierta los pasos para regresar a grados Celsius.
Selección de modo de SmartSense.	<p>El modo "24Hr" pondrá el SmartSense en funcionamiento continuo. Se trata de una configuración por defecto.</p> <p>Con el modo "HOME", el producto pondrá el SmartSense en funcionamiento desde las 5 pm hasta las 11 pm. Observación: el producto deberá estar conectado a la aplicación Flame Connect para que el modo "Home" pueda funcionar.</p>

El mando a distancia

La chimenea viene con un mando a distancia.

Instrucciones de uso con mando a distancia (consulte Fig. 17).

	Icono	Pantalla	Función	Descripción
A		"FIRE" / "ST.BY"	Conexión/ Espera	Presiónelo una vez para encender el aparato ("ON"). Presiónelo una segunda vez para ponerlo en espera (verá el texto "ST.BY" y, a continuación, "." para indicar el modo de espera). (Al regresar del modo en espera ("STANDBY") el aparato volverá a la configuración previa salvo que lo haya desconectado, en cuyo caso se reiniciará la configuración predeterminada).
B		"TIMR"	Temporizador	Este botón cambia la configuración del temporizador. Esto se puede configurar entre 0,5 horas y 8,0 horas en incrementos de 0,5 horas. ("0.5Hr" a "8.0Hr + OFF") Cada vez que presione el botón aumentará la configuración del temporizador en 0.5 horas.
C		"SNSR"	Smart-Sense	Este botón recorre la configuración de SmartSense. La pantalla leerá; "MIN", "MAX" u "OFF". "MIN" apaga el producto 0,5 horas después del último movimiento detectado en la habitación. "MAX" apaga el producto 3 horas después del último movimiento detectado en la habitación. "OFF": SmartSense está apagado
D		"ON"	Modo calor	La primera pulsación del botón activa el calor. La pantalla muestra "ON - XXST - XX°C"
		"OFF"	Modo calor	La segunda pulsación del botón desactiva el calor. La pantalla muestra "OFF"
E		"15ST"	Disminuir temperatura	Presiónelo una vez para mostrar la temperatura programada en el momento. Presiónelo varias veces para disminuir la temperatura en tramos de 1° C. La temperatura mínima que se puede programar es de 15 °C.
F		"32ST"	Aumentar temperatura	Presiónelo una vez para mostrar la temperatura programada en el momento. Presiónelo en varias ocasiones para aumentar la temperatura de la calefacción en tramos de 1° C. La temperatura máxima que puede establecerse es de 32° C.
G		"-F1-"	Disminuir brillo de llamas	Presiónelo una vez para mostrar el nivel de brillo de las llamas programado en el momento. Presiónelo para reducir el nivel de brillo de las llamas, que partirá desde "-F6-" hasta "-F1-", y acabará en "OFF".
H		"-F6-"	Aumentar brillo de llamas	Presiónelo una vez para mostrar el nivel de brillo de las llamas programado en el momento. Presiónelo para aumentar el nivel de brillo de las llamas, que partirá de "OFF" y aumentará desde "-F1-" hasta "-F6-".
I		"VOL1"	Disminuir volumen	Presiónelo una vez para mostrar la configuración del volumen en un momento dado. Presiónelo para reducir la configuración del volumen, que partirá de "OFF" y disminuirá desde "VOL6" hasta "VOL1".
J		"VOL6"	Aumentar volumen	Presiónelo una vez para mostrar la configuración del volumen en un momento preciso. Presiónelo para aumentar el volumen, que partirá desde "OFF" y aumentará desde "VOL1" hasta "VOL6".
K		"AMB1"	Ambiente	Presiónelo para mostrar la configuración ambiental del momento. A medida que lo vaya presionando, irá navegando por las distintas configuraciones. Podrá avanzar desde "AMB1" hasta "AMB7". También se mostrará "AMB8" cuando lo haya activado con la aplicación.
L		"LGT1"	Botón de selección de luz	Presiónelo una vez para mostrar los colores activados para las luces superiores, las del lecho y las de las llamas. Continúe presionándolo para avanzar por la configuración "ON"/"OFF" de estas luces, que irán pasando desde "LGT1" hasta "LGT5".

Repaso de características del producto

Función	Botones	Mando a distancia	Aplicación
Modo de espera	✓	✓	✓
Ajuste de temperatura (15° C – 32° C)	✓	✓	✓
Desactivación de calefacción	✓	-	-
Modo de calefacción (ECO, aumento, Protección contra el frío, Solo ventilador etc.)	-	-	✓
Intensidad de llamas	✓	✓	✓
Configuración de volumen	✓	✓	✓
Temporizador	✓	✓	✓
Temporizador 7 días	-	-	✓
Configuración de volumen	✓	✓	✓
Configuración luz ambiental	✓	✓	✓
Encender/Apagar luz ambiental	-	✓	✓
Ambiente personalizable	-	-	✓
SmartSense	✓	✓	✓

Aplicación para móviles

“Flame Connect” le permitirá controlar las funciones de su chimenea por Bluetooth desde su mano. Busque “Flame Connect” en su plataforma de aplicaciones e instálela para comenzar.



Códigos de error		
Pantalla	Descripción	Acción
CD20	Error en sensor de habitación (NTC).	Póngase en contacto con su distribuidor e indíquelo el código de error.
CD03	El NTC interno está midiendo temperaturas elevadas en el producto.	Desconecte el aparato de la red. Déjelo refrescar y vuelva a conectarlo para reiniciarlo.
CD04	Error de comunicación interna.	Contacte con su distribuidor e indíquelo el código de error.
CD05	El sensor térmico interno ha fallado.	Desconecte el aparato de la red. Déjelo refrescar y vuelva a conectarlo para reiniciarlo.
CD53	La pantalla indica que los ajustes del programador no están sincronizados. Esto ocurre cuando el producto ha estado sin corriente durante más de 40 horas. El producto no podrá funcionar con la configuración horaria determinada y se mostrará “CD53”.	Reinicie los ajustes del temporizador con la aplicación de Flame Connect.

Efecto de las llamas

Dispone de diferentes efectos de llamas. Puede escoger entre diversos ajustes de combinaciones cromáticas para la iluminación. Podrá navegar por ellas con el mando a distancia.

Asimismo, podrá personalizar los efectos con la aplicación para móvil.

Reiniciar el interruptor de corte de temperatura.

Si el aparato se sobrecalienta, cortará el suministro eléctrico de forma automática y no volverá a arrancar hasta que lo reinicie. Podrá reiniciarlo apagándolo en el interruptor principal y esperando 5 minutos antes de volver a encenderlo. Consulte la tabla de códigos de error para conocer más detalles.

⚠ PRECAUCIÓN: si tiene que reiniciar continuamente la calefacción en el interruptor principal, desconéctelo y llame a asistencia técnica.

Mantenimiento

ATENCIÓN: ANTES DE LIMPIAR LA ESTUFA, DESCONÉCTELA SIEMPRE DE LA CORRIENTE.

Limpieza

Antes de comenzar a limpiar, desenchufe la estufa y déjela enfriar. Debería limpiar con un paño seco y suave las superficies de la estufa de forma ocasional. No utilice detergentes, productos abrasivos ni cera para muebles, ya que pueden dañar el acabado de la superficie del producto.

Utilice el accesorio de cepillo suave de un aspirador para limpiar los restos de polvo y pelusa acumulados en la rejilla de salida del radiador situado sobre la parte frontal del cristal.

Para limpiar los leños, retire el lecho. Debería limpiar la bandeja de plástico con un paño seco y, una vez seco, recolocar los leños/cristales y disponerlos de forma que el efecto sea óptimo.

Los cristales frontal y lateral se limpian en la fábrica cuando se montan. Durante el envío, la instalación, la manipulación, etc., los cristales frontal y lateral pueden acumular partículas de polvo que se pueden limpiar con un paño seco y limpio.

Para eliminar las huellas de dedos y otras marcas, puede limpiar el cristal parcialmente reflectante con un paño húmedo. Seque este cristal completamente con un paño sin pelusas para eliminar las marcas de agua. Para evitar arañazos, no utilice limpiadores abrasivos.

PRECAUCIÓN: deberá ser Dimplex o un agente autorizado quien se encargue del montaje, instalación y reparación de esta estufa.

PRECAUCIÓN: le recomendamos que un electricista cualificado revise anualmente el producto por motivos de seguridad.

Información adicional

Servicio posventa

El producto cuenta con una garantía de un año desde la fecha de compra. Durante este período, nos encargaremos de repararlo o cambiarlo sin coste alguno siempre que se haya instalado y utilizado siguiendo estas instrucciones. Los derechos que le otorga esta garantía se suman a los derechos que le reconoce la legislación, que no se verán afectados por esta.

PRECAUCIÓN: no utilice el aparato si el cable de alimentación de la estufa está dañado, ya que podría suponer un peligro. En caso de que esté dañado, deberá encargarse de sustituirlo el fabricante o un distribuidor autorizado.

Reciclaje



Para aparatos eléctricos vendidos en la Unión Europea: al final de la vida útil de los productos eléctricos, no los deseche con los residuos domésticos. Cuando cuente con las instalaciones correspondientes, por favor, recíclelos. Pida a las autoridades locales o al distribuidor consejos de reciclaje en su país.

ATENÇÃO: Leia atentamente o presente guia informativo para poder instalar, utilizar e manter este aparelho em segurança.

Indicação importante em matéria de segurança

Durante a utilização de aparelhos elétricos, devem ser sempre respeitadas as precauções básicas para reduzir o risco de incêndio, eletrocussão e dano pessoal, nomeadamente:

Se o aparelho estiver danificado, consulte o fornecedor antes da instalação e operação.

- Não utilize o aparelho no exterior.
- Não utilize nas imediações de uma banheira, duche ou piscina.
- Não coloque o aparelho imediatamente por baixo de uma tomada de parede ou caixa de derivação.
- Não utilize este aquecedor se tiver caído.
- Não utilize se existirem sinais visíveis de danos ao aquecedor.
- Utilize este aquecedor sobre uma superfície horizontal e estável.

As crianças com menos de 3 anos devem ser mantidas à distância do aparelho a menos que vigiadas permanentemente.

As crianças de idade compreendida entre os 3 e os 8 anos apenas podem ligar e desligar o aparelho se este estiver montado ou instalado na sua posição de utilização normal e se tiverem recebido acompanhamento ou instruções quanto à utilização segura do aparelho e compreenderem os riscos envolvidos. As crianças de idade compreendida entre os 3 e os 8 anos não podem ligar, regular ou limpar o aparelho ou fazer qualquer manutenção.

ATENÇÃO: Algumas peças deste aparelho podem aquecer muito e provocar queimaduras. Há que prestar especial atenção se houver crianças e pessoas vulneráveis presentes.

Não utilizar este aparelho em série com um comando de temperatura, programador, temporizador ou qualquer dispositivo que ligue o calor automaticamente, dado que existe risco de incêndio quando o aquecedor fica acidentalmente tapado ou é deslocado.

Verificar que os móveis, cortinas ou outros materiais combustíveis estão posicionados a uma distância do aparelho nunca inferior a 1 metro.

Caso ocorra uma falha, desligar o aparelho.

Desligar o aparelho em caso de não-utilização por períodos prolongados.

O aparelho deve estar posicionado de forma que a ficha fique acessível. Consultar a secção sobre requisitos elétricos para mais pormenores. Se o cabo de alimentação estiver danificado, deve ser substituído pelo fabricante, pelo técnico de manutenção ou por uma pessoa habilitada para o efeito para evitar quaisquer riscos.

Manter o cabo de alimentação afastado da parte frontal do aparelho.

Aviso: Este aparelho tem de ter ligação à terra.

Não é recomendável a utilização de uma extensão ou de um adaptador para várias fichas quando se liga este produto à corrente. A ligação através destes dispositivos poderá provocar um risco de sobrecarga, sobreaquecimento e até incêndio na extensão ou adaptador devido à qualidade inadequada da ligação.

Este aquecedor deve ser utilizado unicamente em corrente alternada (~) e a tensão indicada no aparelho deve corresponder à tensão de alimentação.

AVISO: Não tapar o aparelho para evitar o sobreaquecimento. Não colocar tecidos ou peças de roupa sobre o aparelho, nem obstruir a circulação de ar à volta do aparelho.

O aparelho contém um símbolo de aviso com a indicação NÃO TAPAR. 

Este aparelho está equipado com um dispositivo de controlo da temperatura ambiente. Não utilize este aparelho em pequenos espaços ocupados por pessoas que não consigam sair desse espaço sozinhas, salvo se for disponibilizada supervisão em permanência.

Lareira Elétrica Vivente Plus da Dimplex

Modelos: VVT75, VVT100, VVT150

Obrigado por ter escolhido uma lareira elétrica da Dimplex.

Informações gerais

⚠ ATENÇÃO: Certifique-se de que a instalação não permite que a lareira esteja em contacto direto com a barreira de vapor ou isolamento do edifício e cumpre todos os regulamentos do código de construção local.

⚠ AVISO: Para reduzir o risco de incêndio, não armazenar nem utilizar gasolina ou outros vapores ou líquidos inflamáveis na proximidade do aquecedor.

1. Selecionar um local que não seja suscetível de humidade e que esteja afastado de cortinados, mobília ou que seja de passagem frequente.
2. Desembalar a lareira e os acessórios da caixa.

! NOTA: Deixar o vidro da frente e o vidro parcialmente refletor, em segurança, no interior da caixa até ficarem prontos a instalar.

3. Guardar a lareira num local seguro, seco e sem poeiras até estar pronta a ser instalada.

Esta lareira elétrica foi concebida para ser instalada numa construção sólida – por exemplo, uma estrutura de chaminé existente ou uma construção em placa de gesso. A instalação deste produto deve ser feita por um profissional qualificado.

Há várias opções de apresentação da lareira, incluindo:

- Instalação com uma, duas, ou três faces
- Materiais a colocar no leito de combustível

Seguir estas instruções que o ajudarão na instalação e funcionamento deste produto.

Informação técnica

Potência de aquecimento		230V	240V	
Potência de aquecimento nominal	P_{Nom}	1.4	1.5	kW
Potência de aquecimento mínima	P_{min}	1.3	1.4	kW
Potência de aquecimento contínua máxima	P_{max}	1.3	1.5	kW
Consumo de eletricidade auxiliar				
Em modo de espera	el_{SB}	0.49	0.49	W

com controlo eletrónico da temperatura ambiente.

Instruções de instalação

1.º passo: Escolha do tipo de instalação

A Vivente pode ser configurada de 4 formas diferentes:

- Face única – Apenas vidro da frente (ver Fig. 1a)
- Duas faces – Direita (ver Fig. 1b)
- Duas faces – Esquerda (ver Fig. 1c)
- Três faces (ver Fig. 1d).

A Vivente é fornecida como uma configuração de três faces.

Seguir os passos abaixo para ajustar à disposição pretendida.

1. Retirar o rebordo frontal inferior da unidade. Ver Fig. 2
2. Na face que se pretender cobrir, retirar o rebordo lateral do vidro que se encontra fixado por quatro parafusos. Fixar o painel lateral em vez do rebordo lateral utilizando os mesmos quatro parafusos. Ver fig. 3A e 3B.
3. Para a configuração apenas vidro da frente, repetir o 2.º passo na face oposta do produto.
4. Montar o rebordo frontal apropriado no produto. (São fornecidos três rebordos diferentes com o produto para facilitar as várias opções de instalação.) Ver Fig. 2

2.º passo: Instalação do produto

ATENÇÃO: São necessárias duas pessoas para vários passos deste procedimento.

Este produto foi concebido para ser instalado numa parede de tijolo existente ou numa estrutura de encastrar na parede que tenha sido feita por medida. Consultar um instalador competente antes de fazer isto para assegurar uma instalação segura e protegida. Se a instalação for feita numa chaminé ou numa conduta existente, verificar que a chaminé ou conduta estão bloqueadas. Isto é para impedir que correntes ascendentes afetem o funcionamento do produto.

Requisitos elétricos

NOTA: É necessário um circuito de 13 Amp dedicado com fusível adequado, classificado para a tensão apropriada (230-240 V). Uma chave de isolamento também deve ser incorporada nos casos em que o plugue do produto estiver inacessível após a instalação.

Um painel de acesso é fornecido na base do produto, é aconselhável que o plugue esteja localizado diretamente abaixo deste painel, caso seja necessário acessar o plugue após a instalação.

AVISO: A construção e a instalação elétrica devem cumprir os códigos de construção locais e outros regulamentos aplicáveis para reduzir o risco de incêndio, eletrocussão e dano pessoal.

AVISO: Para reduzir o risco de incêndio, choque elétrico ou ferimentos em pessoas, utilizar sempre um eletricitista credenciado.

1. Utilizando as dimensões do produto (Fig. 11), construir uma estrutura adequada para encastrar o produto. Verificar que, quando instalado, o produto fica num raio de 1 m de uma tomada elétrica. Consultar a secção sobre requisitos elétricos acima para mais pormenores.

Recomenda-se que a base da unidade seja instalada a uma distância entre 200 – 800 mm do chão. Isto é para manter um ângulo de visão otimizado do efeito de chama. (Ver Fig. 12)

O produto não deverá ter de suportar o peso da parede com revestimento situada por cima do mesmo. Considerar a utilização de uma viga para proporcionar o apoio necessário.

2. Utilizando qualquer combinação dos três métodos de fixação (Fig. 13 a, b, c), fixar o produto

à sua estrutura de apoio.

3. Construir a parede com revestimento de encontro ao aparelho utilizando os rebordos de vidro como guia. A parede com revestimento deve ser construída de forma a permitir o acesso à fonte de alimentação após a instalação.

Recomenda-se que seja deixado um espaço com um afastamento de 150 mm diretamente acima do produto para efeitos de ventilação. (Fig. 12) Este espaço de afastamento pode ficar atrás da superfície da parede com revestimento.

O produto não deve ser fixado ao local com silicone ou adesivo pois tal poderia restringir a circulação de ar.

3.º passo: Montagem do leito de combustível

Foi disponibilizada uma gama de material para o leito de combustível que permite a escolha do aspeto pretendido.

Um conjunto de toros de cerâmica de alta qualidade potencia o efeito desta lareira. Há que ter cuidado ao manusear estes toros para evitar que caiam ou façam fricção entre si, pois ficam facilmente marcados. São incluídos os seguintes materiais para o leito de combustível

- Toros de cerâmica
- Pó de cinza
- Pedacos de cristal

Criámos com todo o cuidado aquilo que consideramos ser o leito de combustível mais autêntico. Seguir os passos em baixo para mais informações. Nota: Pode também ser preparada uma combinação de materiais para o leito de combustível para criar uma formação especial para o mesmo.

1. Retirar o rebordo frontal da unidade. (Fig. 2)
2. Retirar o vidro da frente do produto e armazenar em local seguro. (É fornecida uma ventosa para ajudar a retirar/colocar o vidro da frente.) (Fig. 6)
3. Para uma composição contemporânea (Fig. 14), colocar os cristais no leito de combustível, cobrindo a superfície superior do leito de combustível. Os cristais proporcionarão um efeito de brasas brilhantes quando o efeito de chama estiver em funcionamento.
4. Para um aspeto tradicional, dispor os toros sobre o leito de combustível, segundo a preferência pessoal. Seguir os passos indicados no fim deste documento que proporcionam uma representação visual para a disposição dos toros. Também é fornecido pó de cinza para esta apresentação. Espalhar este pó sobre o leito de combustível para produzir um efeito realista de toros a arder.
5. Seguir os passos 1 e 2 em sentido inverso para remontar o produto.

Um conjunto de logs autênticos pode ser adquirido separadamente, consulte a tabela de logs autênticos para obter os números de peça.

Authentic Log	
Model	Part Number
VVT75	03/24180/0
VVT100	03/24181/0
VVT150	03/24183/0

Funcionamento e utilização

AVISO: O incumprimento destas instruções de funcionamento pode resultar em ferimentos e/ou danos.

Obrigado por ter escolhido a Vivente. Esperamos que goste de utilizar a sua nova lareira elétrica. Pedimos-lhe que dedique alguns minutos à leitura destas instruções. Ajudá-lo-ão a compreender e a beneficiar de todas as seguintes funcionalidades:

- Comandos integrados no aparelho
- Telecomando
- Controlo através de aplicação
- Aquecimento – incluindo “Comfort\$aver”
- Efeitos de chama
- SmartSense

Comfort\$aver

Esta lareira elétrica funciona com a tecnologia Comfort\$aver, que regula automaticamente a velocidade da ventoinha e a potência do aquecedor para corresponder aos requisitos da sala com base na regulação do termostato. Os aquecedores elétricos convencionais funcionam estando regulados à máxima potência ou desligados, o que pode resultar em oscilações de ligeiramente quente demais para ligeiramente frio demais.

O Comfort\$aver funciona de forma que quando a sala atinge o valor definido, a ventoinha e o aquecedor continuam a funcionar a um nível reduzido para manter a temperatura desejada na sala fornecendo um aquecimento mais confortável, o que resulta numa poupança de energia que pode chegar aos 11%.

Se a temperatura da sala aumentar significativamente, isto é, se o sol estiver a entrar por uma janela ou se o aquecimento central se ligar, o aquecedor desliga-se e ligar-se-á periodicamente para fazer circular o ar à volta da unidade, até que a temperatura da sala diminua e necessite que o aquecedor volte a estar permanentemente ligado.

SmartSense

O SmartSense deteta atividade ou movimento numa sala e desliga automaticamente o efeito de chama, sem necessidade de tocar nos comandos. O SmartSense também detetará a inatividade numa sala e, após um determinado período de tempo, colocará o produto em modo de espera. Ver Fig. 15 que ilustra a zona de deteção do SmartSense.

Quando a lareira deteta que não há atividade, desliga-se sozinha. É possível escolher dois períodos de tempo – 30 minutos ou 3 horas.

O SmartSense é desativado durante 3 minutos depois de o produto ser colocado em modo de espera. Isto permite sair da sala depois de o produto ter sido colocado em modo de espera, sem ativar a função SmartSense..

O SmartSense tem as três seguintes regulações:

"HOME" (via APP)

Com esta regulação, o SmartSense só acionará o efeito de chama quando detetar movimento no período entre as 05h00 e as 23h00. Contudo, à noite, a sua lareira Dimplex ligará imediatamente o seu efeito de chama – recordando a última regulação que foi feita.

"24 Hr" (Predefinido)

O SmartSense acionará o efeito de chama quando detetar movimento em qualquer momento durante o dia ou a noite. É ideal para ambientes de loja e comerciais.

"OFF" (Desligado)

O SmartSense pode ser desligado, o que permitirá ao produto funcionar normalmente em todos os outros aspetos.

Comandos





A unidade pode ser controlada por:

- Comandos integrados no aparelho/manuais que estão localizados na parte superior direita da lareira (ver Fig. 16)
- Telecomando – fornecido
- Controlo através de aplicação. Utilizando uma aplicação dedicada no seu smartphone.

No entanto, nem todas as funcionalidades podem ser acedidas através dos comandos do aparelho. Para aceder à totalidade das funcionalidades, é necessária a aplicação para smartphone.

Instruções de funcionamento (COMANDOS INTEGRADOS NO APARELHO) – Ver Fig. 16

A unidade pode ser operada utilizando os comandos manuais que estão localizados na parte superior direita da lareira. Ver Fig. 16

Ícone	Função	Descrição
	Interruptor modo de espera	Coloca o produto em modo de espera. Quando premido para "1", o Visor mostra "ST. BY" durante cinco segundos e seguidamente apenas ".", para indicar o estado de espera.
	Botão de ciclos do menu	<p>Após ativação inicial, o produto fica em modo de espera. Carregar uma vez no botão de ciclos do menu: Isto liga o efeito de chama para uma regulação predefinida, O visor mostra "ON" (ligado).</p> <p>Este botão percorre as opções de definição do produto quando este está em funcionamento. Estas opções são "FIRE", "AMB", "HEAT", "Set.T", "TIMR", "SNSR" e "VOL".</p> <p>"FIRE": A regulação da intensidade da chama pode então ser ajustada utilizando os botões "+" ou "-". Existem sete regulações. (O visor mostra "-F1-" até "-F5-", para os diferentes níveis de intensidade, "-F6-" para efeito de pulsação e "OFF" quando o efeito de chama é desligado.)</p> <p>"AMB": A regulação do ambiente pode então ser ajustada utilizando os botões "+" ou "-". Existem sete regulações disponíveis nos comandos do aparelho. (O visor mostra "AMB1" a "AMB7") "AMB8" é uma regulação de ambiente personalizável, disponível através da aplicação Dimplex Flame Connect. Nota: "-F6-" não está disponível como regulação se estiver definido "AMB6", "AMB7" ou "AMB8".</p> <p>"HEAT": A temperatura definida "XXST" é mostrada durante dois segundos, após o que é mostrada a temperatura da sala "XX°C" durante mais dois segundos. A regulação Heat (calor) pode ser ligada ou desligada utilizando os botões "+" ou "-", respetivamente. (O visor mostra "ON" ou "OFF")</p> <p>"Set.T": A temperatura definida pode então ser ajustada utilizando os botões "+" ou "-". A gama de temperaturas situa-se entre os 15 °C – 32 °C com incrementos de 1°C (O visor mostra "15ST" até "32ST"). Após 2 segundos, a temperatura ambiente atual é mostrada como "XX °C". Fica visível durante três segundos.</p> <p>"TIMR": O temporizador de reativação pode ser ajustado utilizando os botões "+" ou "-". Pode ser definido para períodos entre 30 minutos e 8 horas, em incrementos de 30 minutos. ("0.5Hr" a "8.0 Hr")</p> <p>"SNSR": As definições SmartSense podem ser ajustadas utilizando os botões "+" ou "-". "MIN" desliga o produto 30 minutos depois de detetado o último movimento. "MAX" desliga o produto 3 horas depois de detetado o último movimento. "OFF" – Sensor de movimentos desligado.</p> <p>"VOL": O volume pode ser ajustado utilizando os botões "+" ou "-". O volume tem sete regulações. ("OFF", que corresponde ao som desligado, e "VOL1" a "VOL6")</p>
	Botão de aumentar "+"	Este botão aumenta a regulação apresentada quando é premido, enquanto estiver em modo de menu.
	Botão de diminuir "-"	Este botão diminui a regulação apresentada quando é premido, enquanto estiver em modo de ciclos do menu.













Modos de utilização:

Nome/Descrição do Modo	Ação (As ações não podem ser ativadas através do teleco-mando)
Ativar/Desativar as opções de calor no produto	Quando no cio, carregar no botão de ciclos do menu e "-" durante cinco segundos. O visor mostra "CD02", o calor fica agora desativado. Repetir para ativar o calor.
Mudar de graus Celsius para graus Fahrenheit	Quando no cio, carregar no botão de ciclos do menu e "+" durante cinco segundos. O produto pode então mudar de "-°C-" para "-°F-". Repetir para regressar ao modo de graus Celsius.
Seleção do modo SmartSense	<p>A regulação "24Hr" mantém o SmartSense em funcionamento permanente. Esta é a regulação predefinida.</p> <p>Regulação "HOME": o produto funciona com SmartSense entre as 17h00 e as 23h00. Nota: O produto tem de estar ligado à aplicação "FLAME CONNECT" para a regulação "HOME" funcionar.</p>

Telecomando

A lareira é fornecida com um telecomando.

Instruções de funcionamento utilizando o TELECOMANDO – Ver Fig. 17

	Ícone	Visor	Função	Descrição
A		"FIRE" / "ST.BY"	Ligar / Espera	Pressionar uma vez para ligar o produto. ("ON") Pressionar uma segunda vez para colocar o produto em modo de espera. ("ST.BY" aparece, e seguidamente "." para indicar modo de espera.) (Ao voltar do modo 'STANDBY', o produto regressará às definições anteriores, salvo se o produto tiver sido desligado, e nesse caso regressará às definições de fábrica.)
B		"TIMR"	Ciclo do temporizador	Este botão altera a configuração do temporizador. Isso pode ser definido entre 0,5 horas e 8,0 horas em incrementos de 0,5 horas. ("0,5 horas" a "8,0 horas + OFF") Cada pressão de botão aumentará a configuração do temporizador em 0,5 horas.
C		"SNSR"	Ciclo SmartSense	Este botão percorre as configurações do SmartSense. O display irá ler; "MIN", "MAX" ou "OFF". "MIN" desliga o produto 0,5 hora após o último movimento detectado na sala. "MAX" desliga o produto 3 horas após o último movimento detectado na sala. "OFF" - SmartSense está desligado
D		"ON"	Modo Calor	O primeiro pressionamento do botão ativa o aquecimento. O display mostra "ON - XXST - XX°C"
		"OFF"	Modo Calor	O segundo toque no botão desativa o calor. O display mostra "OFF"
E		"15ST"	Baixar temperatura	Pressionar uma vez para indicar a temperatura definida atual. Pressionar várias vezes para reduzir a temperatura do aquecedor em incrementos de 1°C. A temperatura mais baixa que pode ser definida é 15°C.
F		"32ST"	Aumentar temperatura	Pressionar uma vez para indicar a temperatura definida atual. Pressionar várias vezes para aumentar a temperatura do aquecedor em incrementos de 1°C. A temperatura mais alta que pode ser definida é 32°C.
G		"-F1-"	Reduzir a intensidade da chama	Pressionar uma vez para indicar a regulação atual da intensidade da chama. Pressionar para reduzir a regulação da intensidade da chama. A regulação vai de "-F1-" a "-F6-" e "OFF" (desligado).
H		"-F6-"	Aumentar a intensidade da chama	Pressionar uma vez para indicar a regulação atual da intensidade da chama. Pressionar para aumentar a regulação da intensidade da chama. A regulação é "OFF", e seguidamente de "-F1-" a "-F6-".
I		"VOL1"	Baixar o volume	Pressionar uma vez para mostrar a regulação de volume atual. Pressionar para reduzir a regulação do volume. A regulação é "OFF", e seguidamente de "VOL1" a "VOL6".
J		"VOL6"	Aumentar o volume	Pressionar uma vez para indicar a regulação de volume atual. Pressionar para aumentar a regulação do volume. A regulação é "OFF", e seguidamente de "VOL1" a "VOL6".
K		"AMB1"	Ciclo Ambiente	Pressionar uma vez para mostrar a regulação de ambiente atual. Premir o botão sucessivamente fará percorrer os ciclos de regulação. A regulação é de "AMB1" a "AMB7". A regulação "AMB8" surgirá também quando tiver sido ativada através da aplicação.
L		"LGT1"	Botão de seleção da luz	Premir uma vez para mostrar todas as luzes superiores e luzes do leito de combustível e da cor da chama que estão ON. Premir o botão sucessivamente fará percorrer os ciclos da regulação ON/OFF (ligado/desligado) de cada uma destas luzes. "LGT1" a "LGT5".

Resumo das funcionalidades do produto

Função	Comandos no aparelho	Telecomando	Controlo através da aplicação
Modo de espera	✓	✓	✓
Regulação da temperatura (15° C – 32° C)	✓	✓	✓
Desativar aquecimento	✓	-	-
Modo do aquecedor (ECO, Boost, Proteção anti-congelamento, Só ventoinha etc.)	-	-	✓
Intensidade da chama	✓	✓	✓
Regulação do volume	✓	✓	✓
Temporizador de reativação	✓	✓	✓
Temporizador para 7 dias	-	-	✓
Regulação do volume	✓	✓	✓
Definição da iluminação ambiente	✓	✓	✓
Luz ambiente ligada/desligada	-	✓	✓
Ambiente personalizável	-	-	✓
SmartSense	✓	✓	✓

Aplicação para smartphone

“Flame Connect” permite ao utilizador controlar, a partir da sua mão, a função da lareira através de Bluetooth. Pesquisar “Flame Connect” na App Store e instalar para começar.



Códigos de falhas		
Visor do aparelho	Descrição	Ação
CD20	Erro no sensor da sala (NTC)	Contactar o vendedor e indicar este código de erro.
CD03	O NTC interno mede temperaturas elevadas no interior do produto.	Desligar a unidade da fonte de alimentação para reiniciar, deixar arrefecer e seguidamente voltar a ligar para reiniciar.
CD04	Erro de comunicação interna	Contactar o vendedor e indicar este código de erro.
CD05	O sensor da temperatura interior falhou.	Desligar a unidade da fonte de alimentação para reiniciar, deixar arrefecer e seguidamente voltar a ligar para reiniciar.
CD53	Este erro surge quando as definições do temporizador estão dessincronizadas. Ocorre quando o produto está sem alimentação elétrica durante mais de 40 horas. O produto já não consegue funcionar de acordo com as definições de tempo definidas, e surge a indicação CD53.	Repor as definições do temporizador utilizando a aplicação Flame Connect.

Temas dos efeitos das chamas

Estão disponíveis diferentes combinações de efeitos das chamas. Estão disponíveis diferentes predefinições de cores de iluminação que podem ser percorridos utilizando o telecomando. Estão disponíveis outras possibilidades de personalização dos efeitos através da aplicação para smartphone.

Redefinição do interruptor de corte para a temperatura

No caso de o aquecedor sobreaquecer, uma interrupção automática desligará toda a unidade que só voltará a funcionar quando for reiniciada. Pode ser reiniciada desligando a unidade da fonte de alimentação e esperando 5 minutos antes de a voltar a ligar. Consultar os códigos de erro na página anterior para mais detalhes.

⚠ ATENÇÃO: Caso seja necessário reiniciar constantemente o aquecedor, desligar a unidade da corrente, desligar o painel e contactar a assistência.

Manutenção

AVISO: DESLIGAR SEMPRE DA CORRENTE ANTES DE LIMPAR O AQUECEDOR.

Limpeza

Antes de iniciar a limpeza, desligar o aquecedor e deixá-lo arrefecer. As superfícies do aquecedor devem ser limpas periodicamente com um pano macio e seco. Não utilizar detergentes, pó de limpeza abrasivo ou cera para móveis pois pode danificar o acabamento da superfície do produto.

Para remover qualquer acumulação de pó ou algodão, o acessório de escova macia de um aspirador deve ser utilizado ocasionalmente para limpar a grelha de saída do aquecedor de ventoinha localizado por cima do vidro da frente.

Para limpar o arranjo de material combustível, retirar o material do leito de combustível. O tabuleiro de plástico deve ser limpo com um pano húmido. Quando estiver seco, substituir os toros/cristais do leito de combustível e dispô-los para uma melhor apresentação.

O vidro da frente e dos lados é limpo na fábrica durante a operação de montagem. Durante o envio, instalação, manuseamento, etc., o vidro da frente e dos lados pode acumular partículas de pó que podem ser retiradas com um pano de pó limpo e seco.

Para eliminar dedadas e outras marcas, o vidro parcialmente refletor pode ser limpo com um pano húmido. O vidro parcialmente refletor deve ser totalmente enxugado com um pano sem pelos para evitar manchas de água. Para evitar riscos, não utilizar produtos de limpeza abrasivos.

ATENÇÃO: A montagem, instalação e reparação deste aquecedor têm de ser realizadas pela Dimplex ou por um agente autorizado.

ATENÇÃO: Recomendamos a inspeção anual deste aquecedor por um electricista credenciado para verificação da segurança.

Informações complementares

Assistência pós-venda

A garantia deste aparelho é válida por um ano a partir da data de compra. Durante este período, responsabilizamo-nos pela reparação ou troca gratuita deste aparelho, na condição de ter sido instalado e utilizado de acordo com as presentes instruções. Os seus direitos ao abrigo desta garantia acrescem aos direitos estatutários que não são afetados por esta garantia.

ATENÇÃO: Não utilizar se a alimentação elétrica do aquecedor estiver danificada. Essa utilização pode provocar um risco. Se danificada, a alimentação elétrica terá de ser substituída pelo fabricante ou pelo concessionário autorizado.

Em caso de necessidade de informação pós-venda ou de assistência relativamente a este produto, visitar www.dimplex.co.uk e seleccionar “Customer Support” (assistência ao cliente) ou ligar para o nosso serviço de apoio pelo +44 (0) 8448793588 (Reino Unido) ou +353 (0) 18428222 (República da Irlanda). O sítio web também disponibiliza peças sobresselentes. Conservar o recibo como comprovativo de compra.

Reciclagem



Para aparelhos elétricos vendidos na Comunidade Europeia - Quando chegam ao fim da sua vida útil, os produtos elétricos não devem ser eliminados juntamente com o lixo doméstico. Recicle nos locais apropriados. Contacte as autoridades locais ou o seu revendedor para obter mais informações sobre reciclagem no seu país.

Fig. 1a

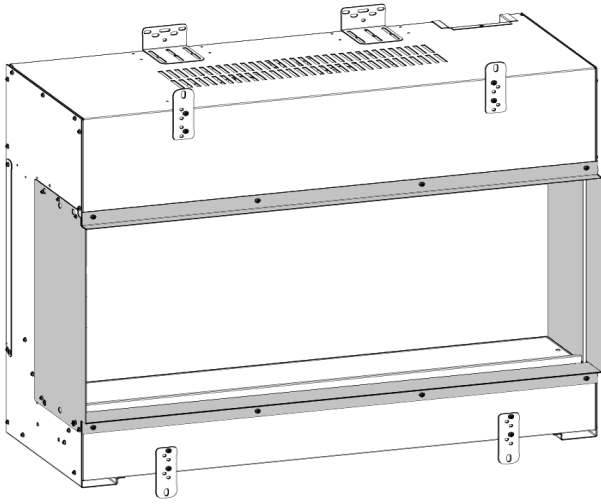


Fig. 1b

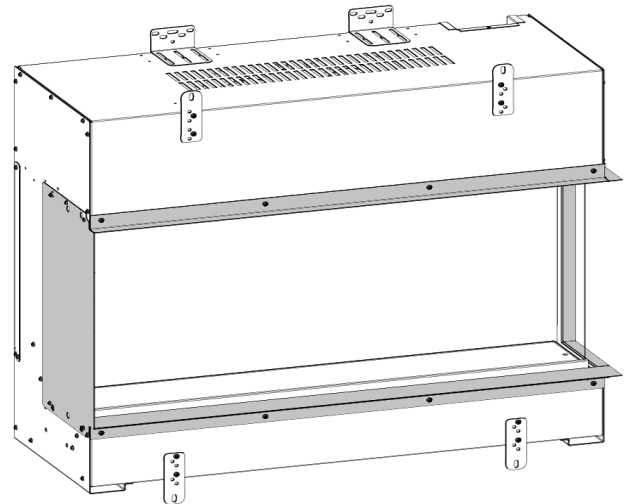


Fig. 1c

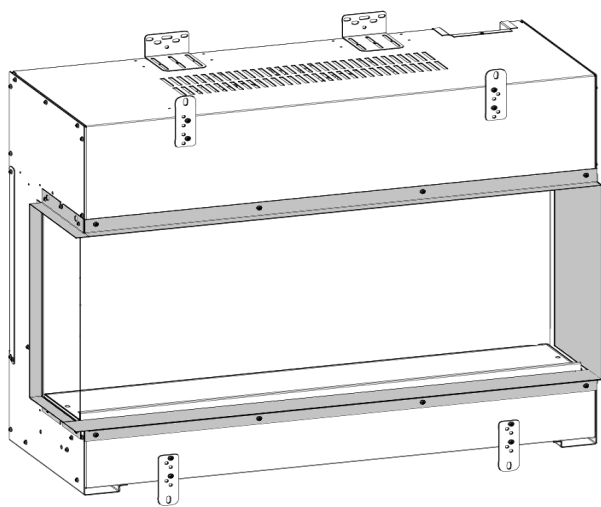


Fig. 1d

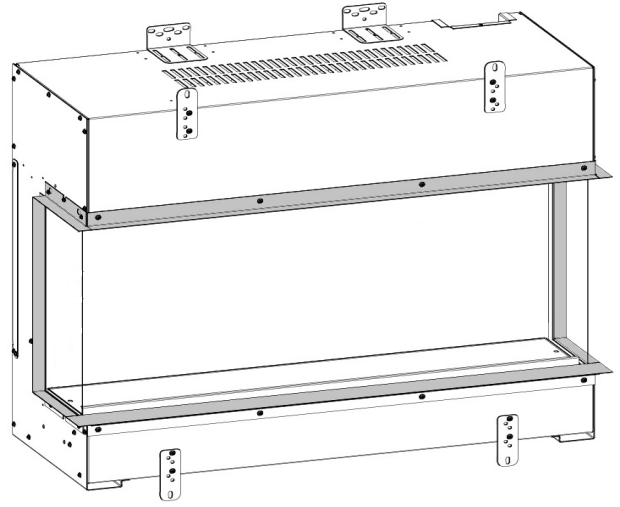


Fig. 2

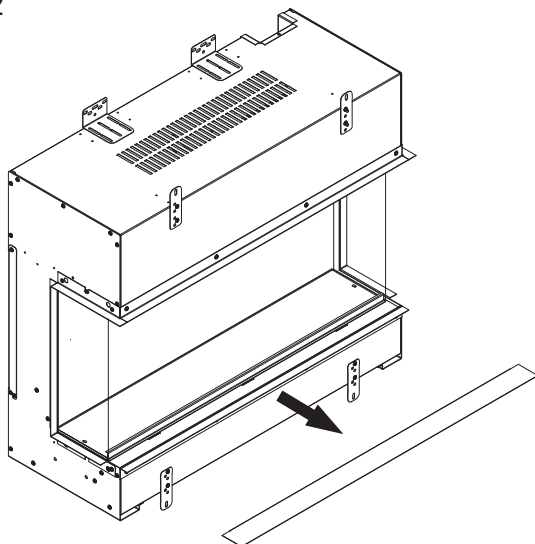


Fig. 3a

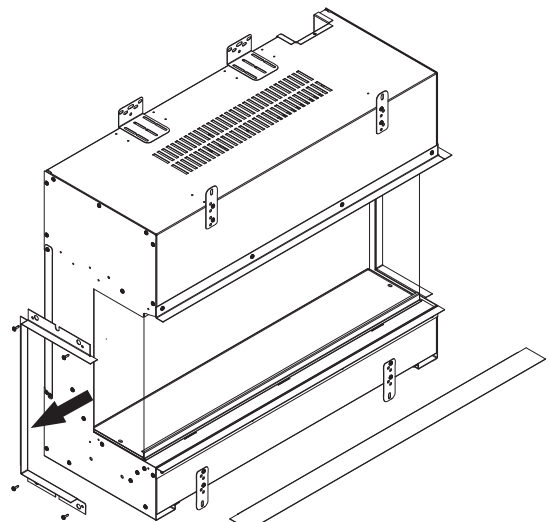


Fig. 6

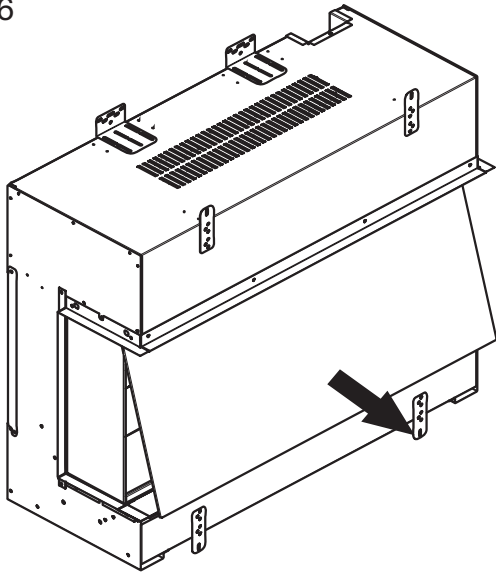


Fig. 7

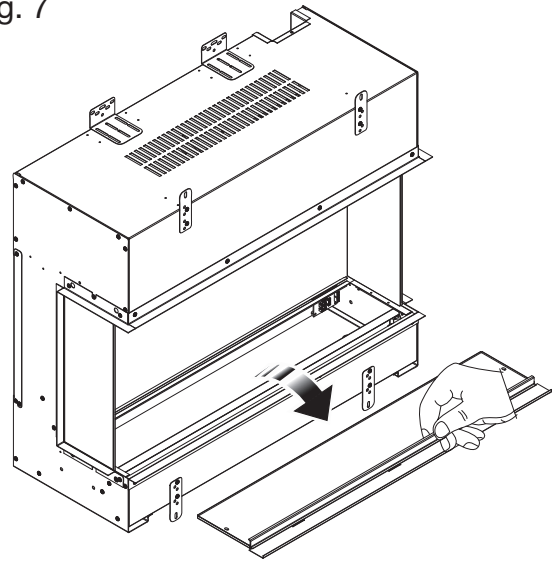


Fig. 8

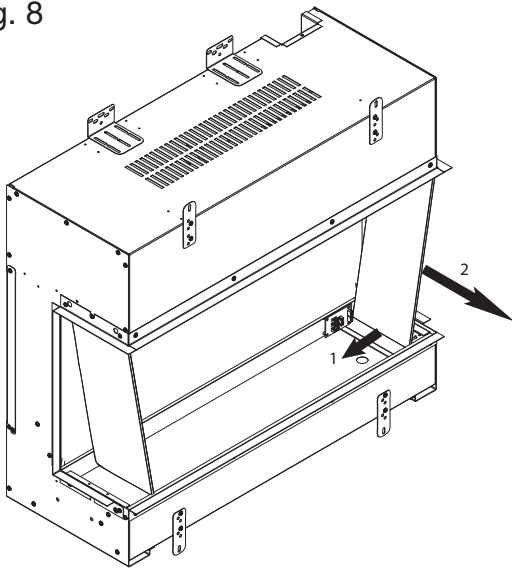


Fig. 9

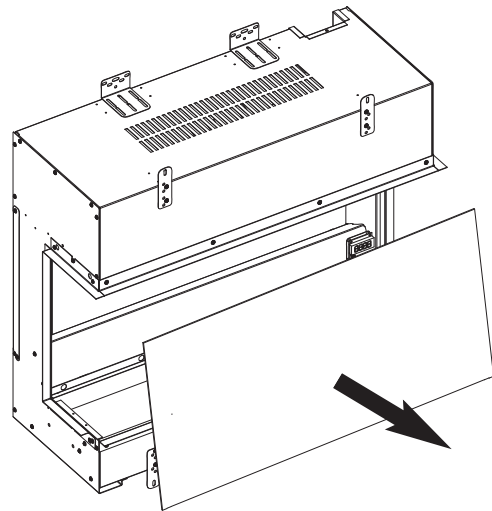
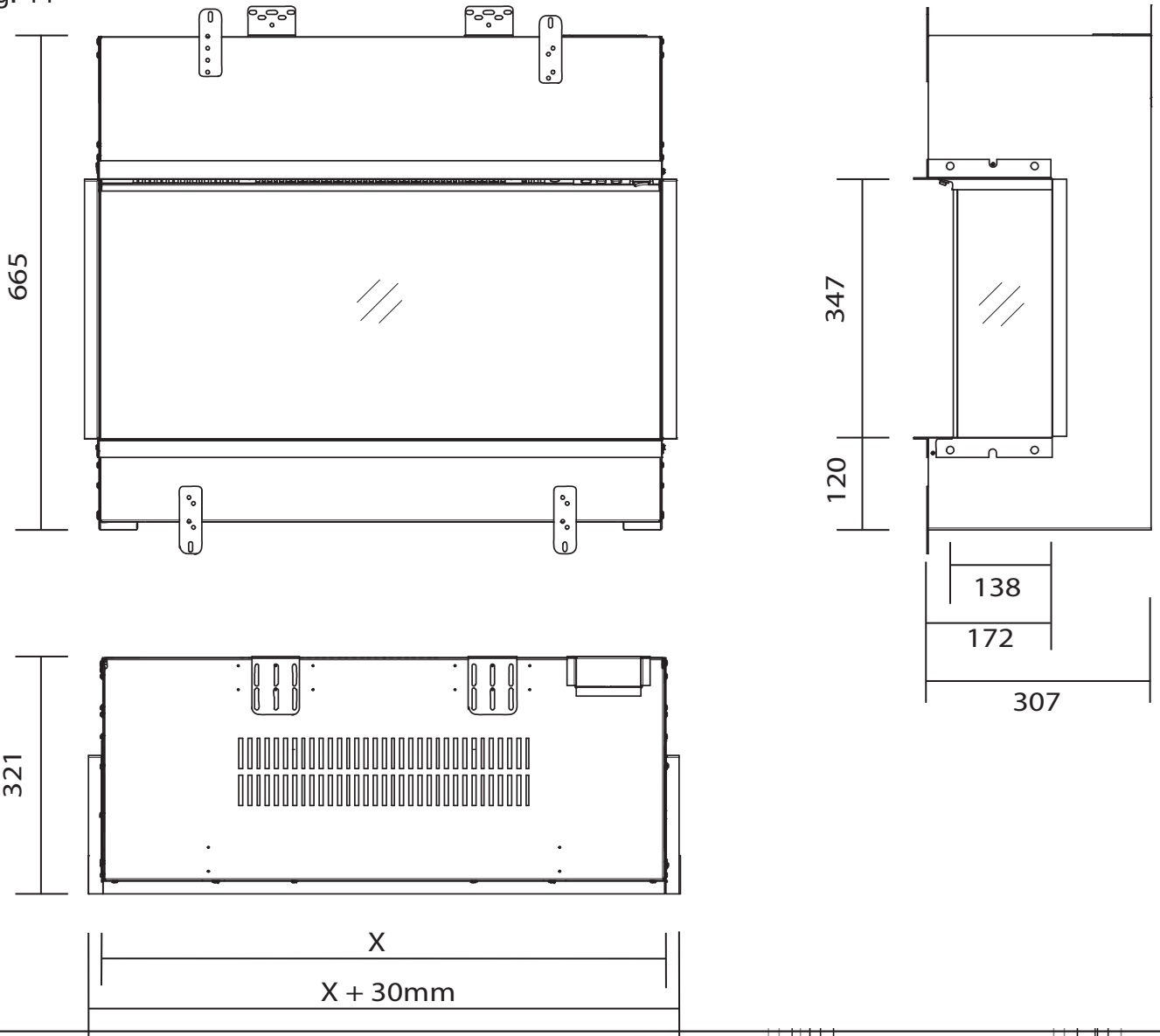


Fig. 11



MODEL	'X'
VVT75	764mm
VVT100	1014mm
VVT150	1514mm

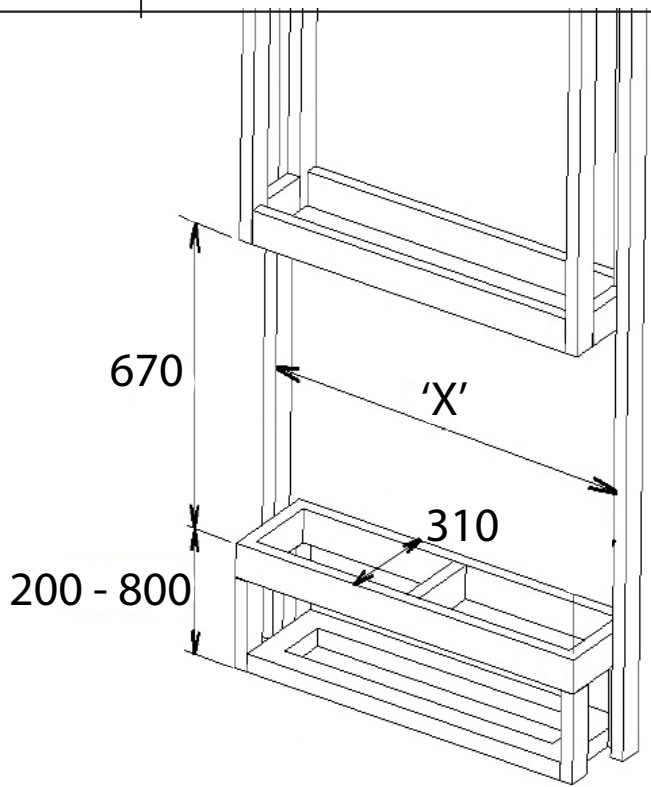


Fig. 12

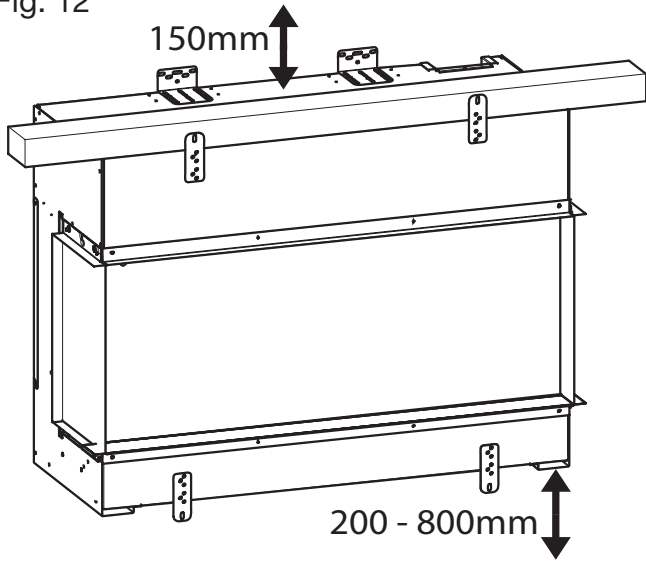


Fig. 13a

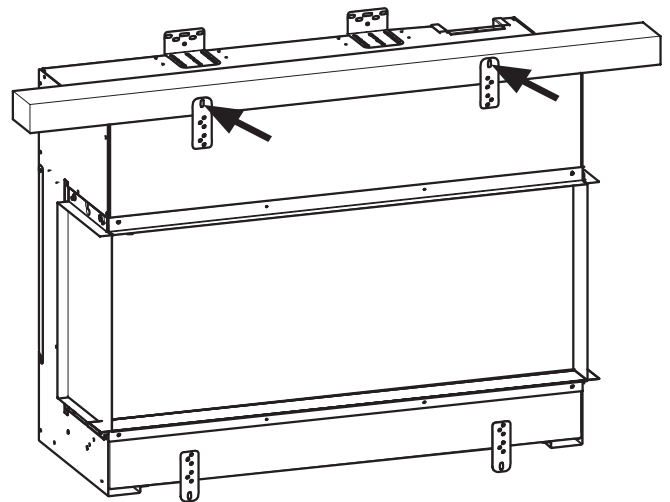


Fig. 13b

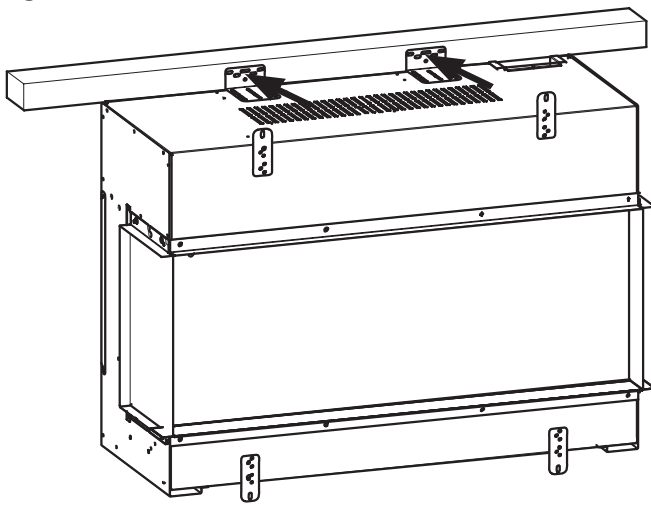


Fig. 13c

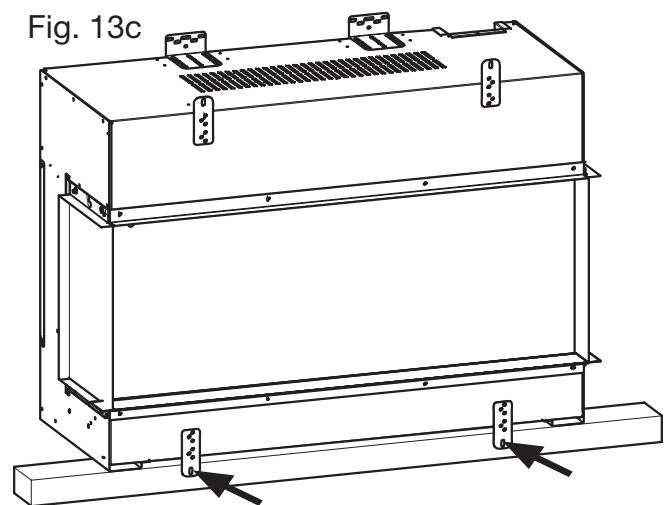


Fig. 14



Fig. 15

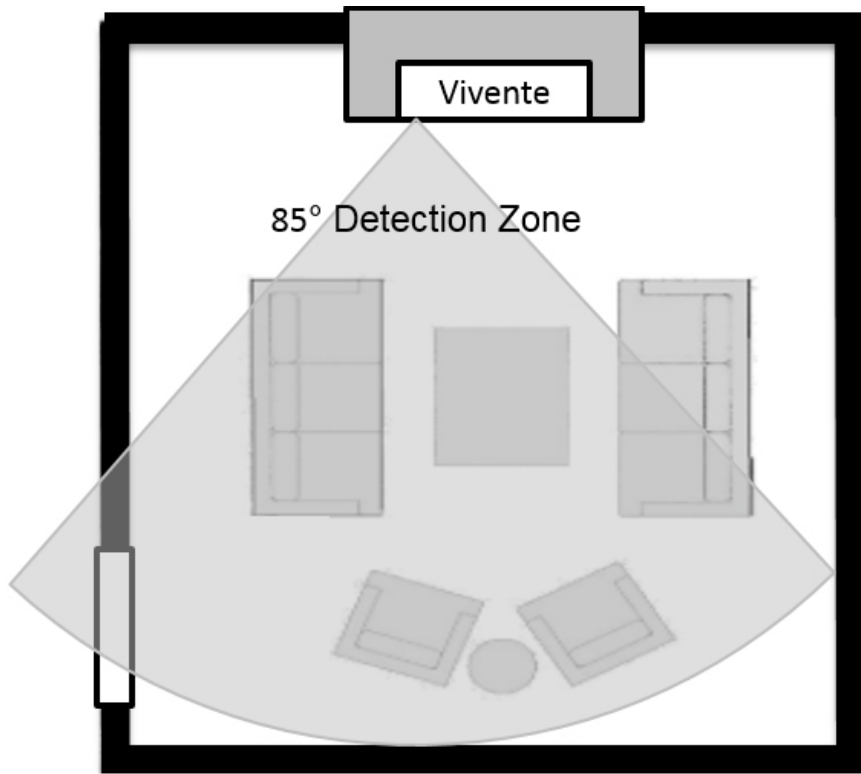


Fig. 16

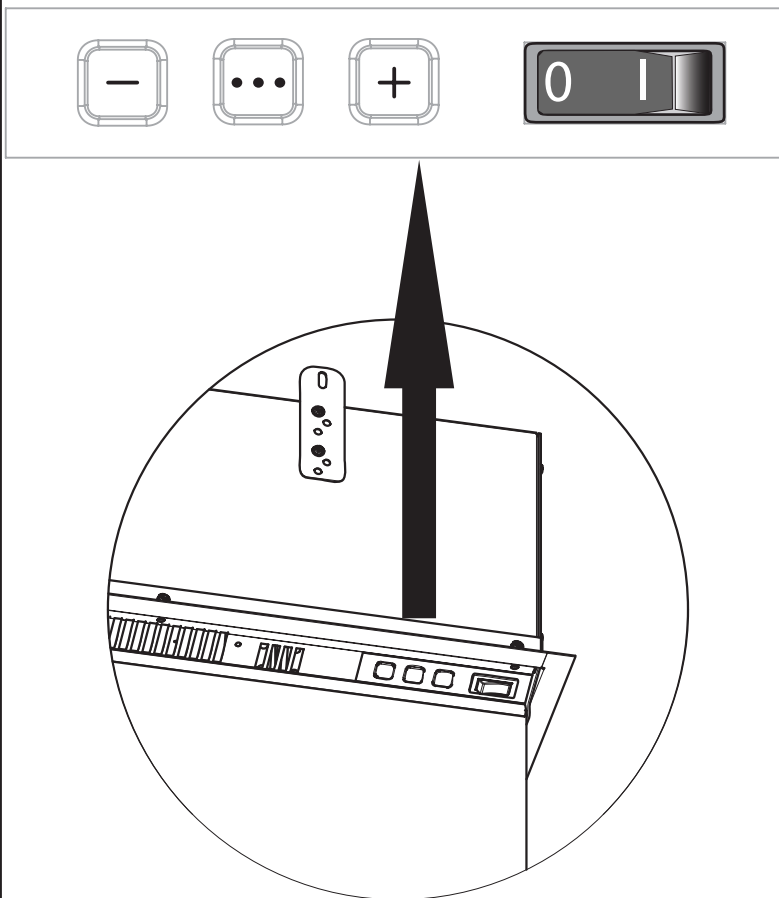
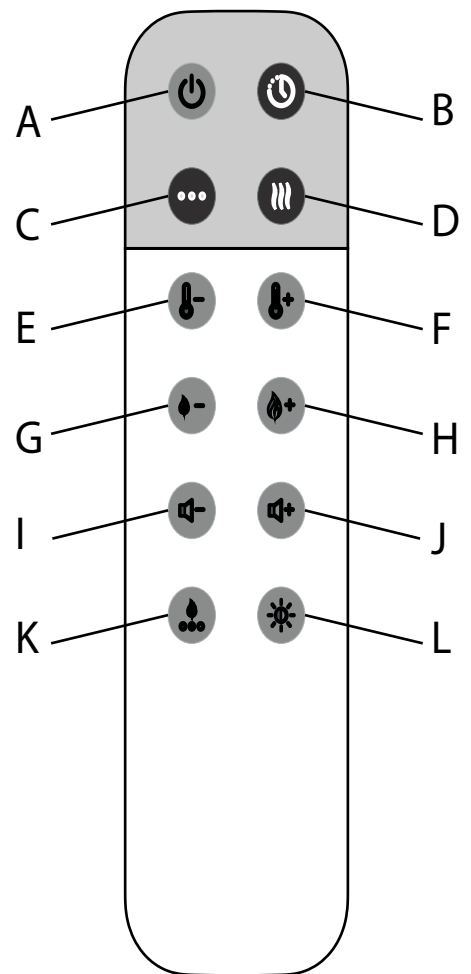
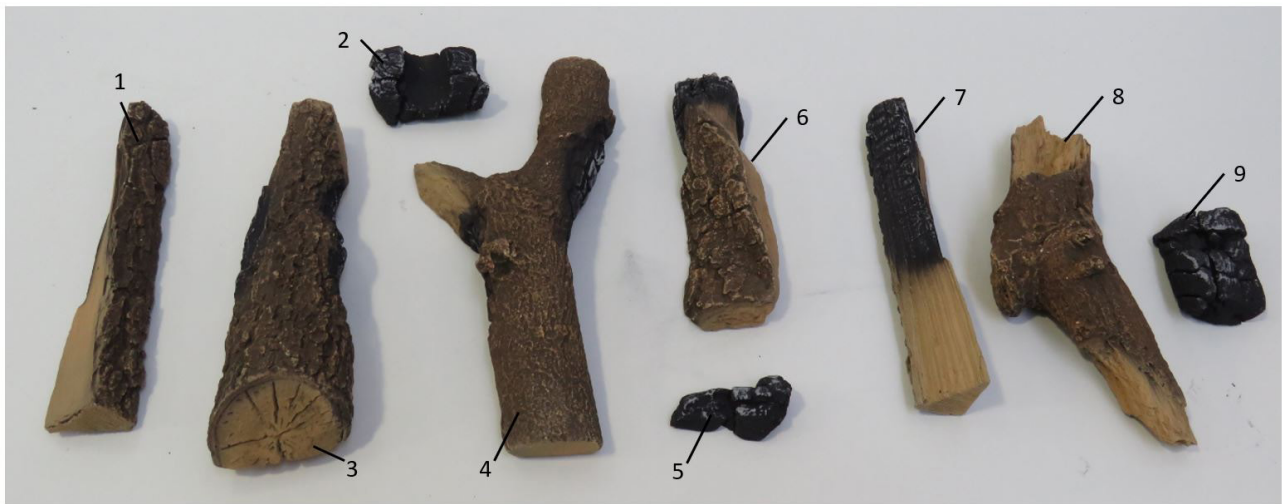
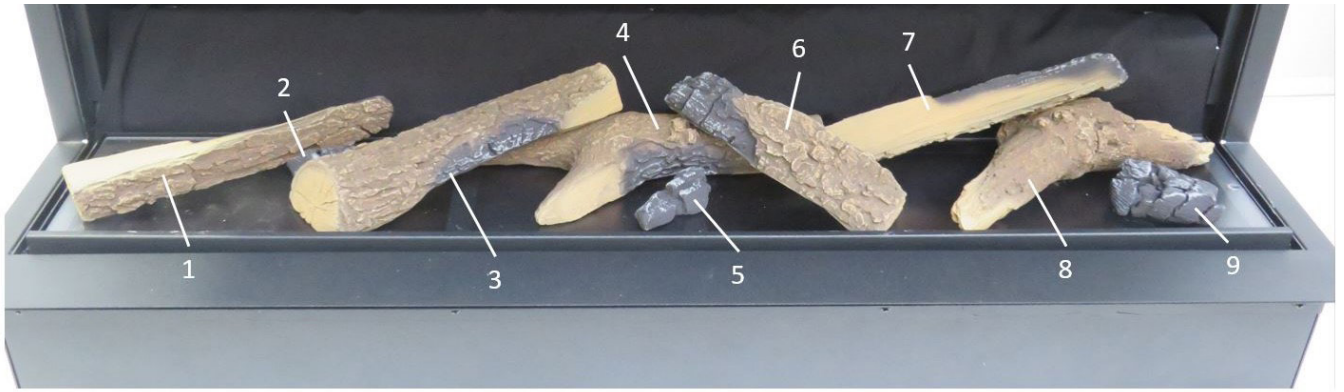


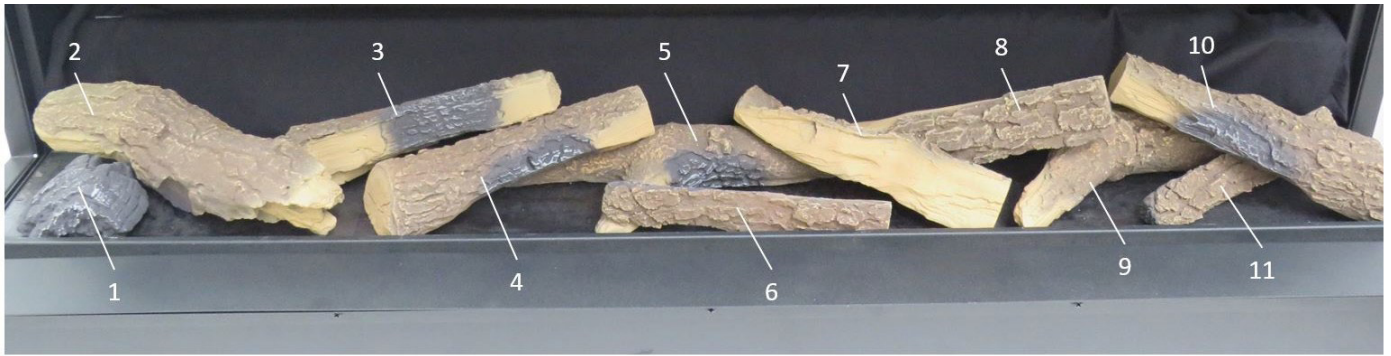
Fig. 17



VVT75 - Ceramic Log



VVT100 - Ceramic Log



VVT150 - Ceramic Log

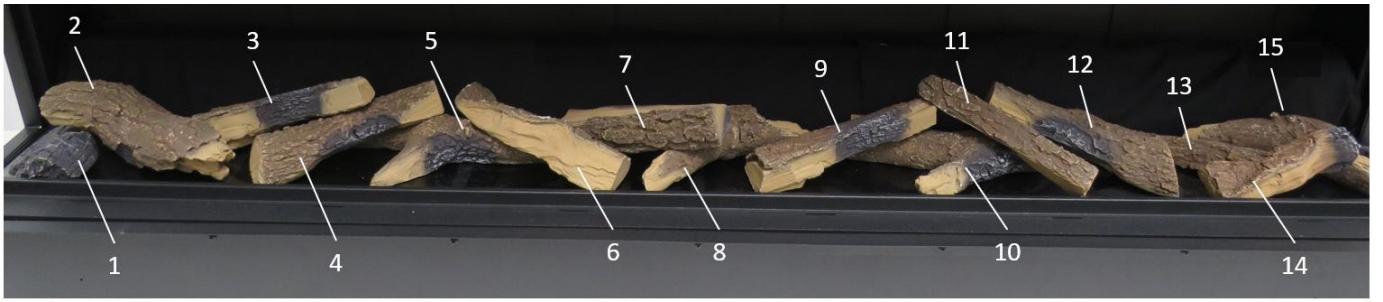


Fig. 18



No Gaps in the Ash dust.

